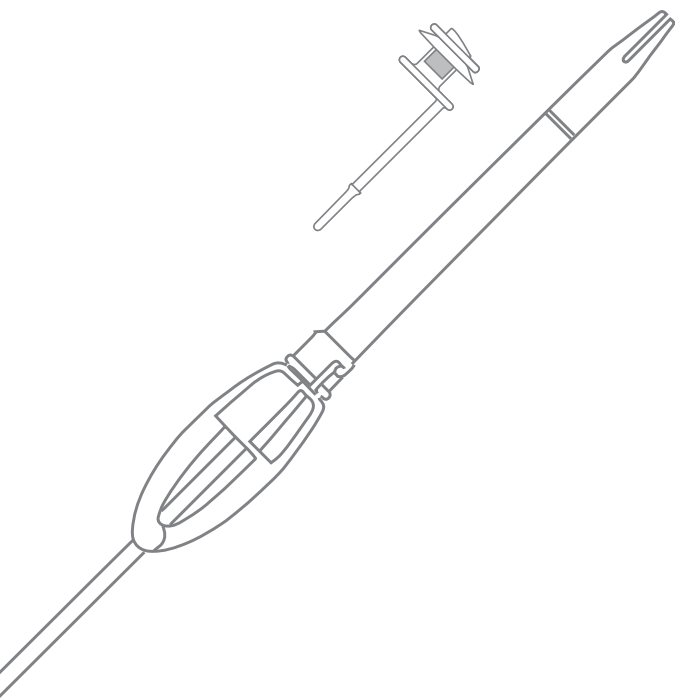
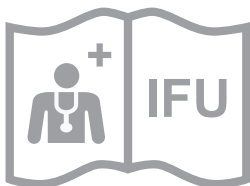


PROVOX[®] Vega[™]

XtraSeal[™]



**Rx
ONLY**



CE 0413

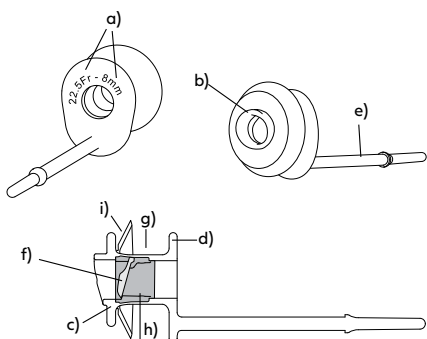


STERILE **EO**



42° C
108° F
RT
2° C
36° F

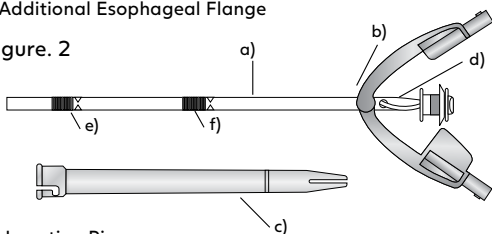
Figure. 1



Provox® Vega™ XtraSeal™ voice prosthesis

- a) Size information (shaft diameter and length between flanges)
- b) Prosthesis Hood
- c) Esophageal Flange
- d) Tracheal Flange
- e) Safety Strap
- f) Valve Flap
- g) Prosthesis Shaft
- h) Radio-opaque fluoroplastic Valve Seat
- i) Additional Esophageal Flange

Figure. 2



- a) Insertion Pin
- b) Folding Tool
- c) Insertion tube
- d) Attachment Slot
- e) Distal grip surface
- f) Proximal grip surface

2.2 Preparation

Figure. 3

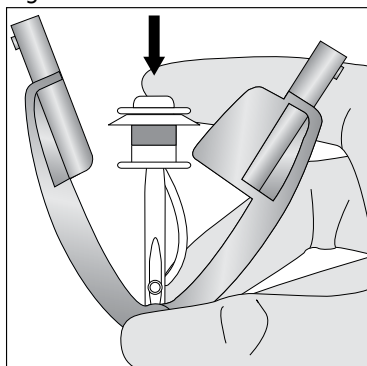


Figure. 4

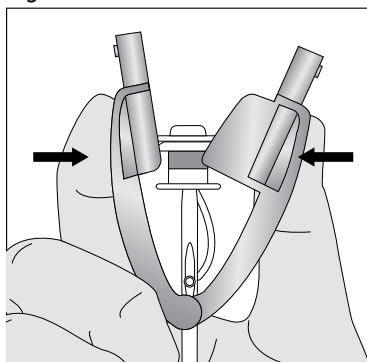


Figure. 5

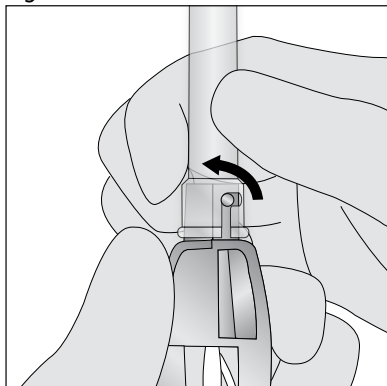
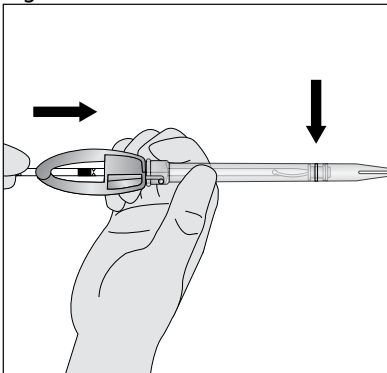


Figure. 6



2.3 Overshoot Insertion

Figure. 7

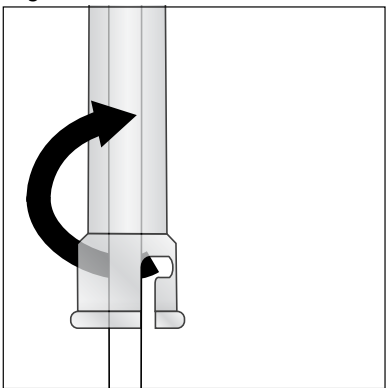


Figure. 8

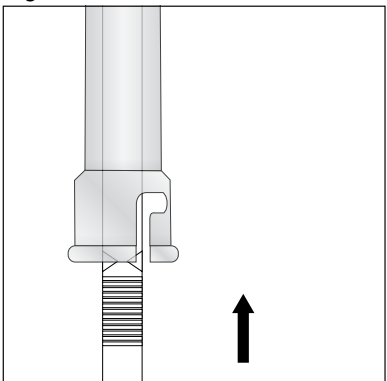


Figure. 9

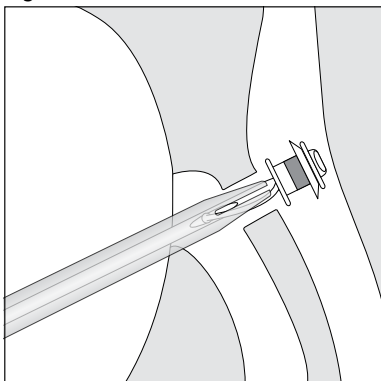
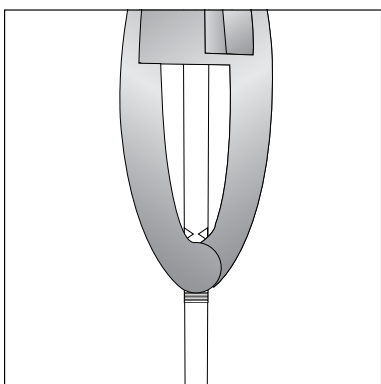
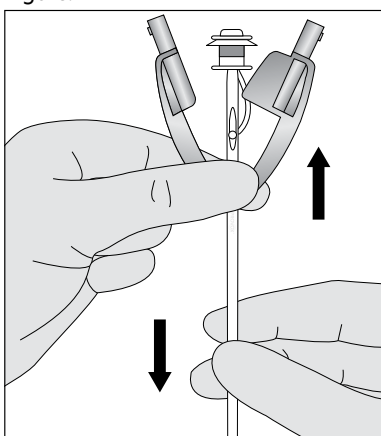


Figure. 10



2.4 Assembly and reloading

Figure. 11



2.5 Finalization

Figure. 12

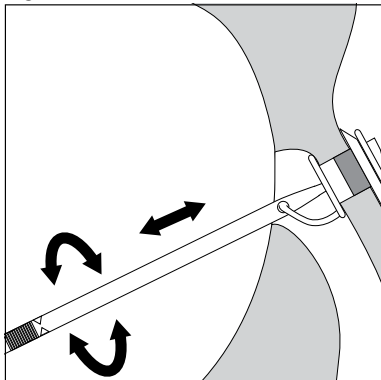


Figure. 13

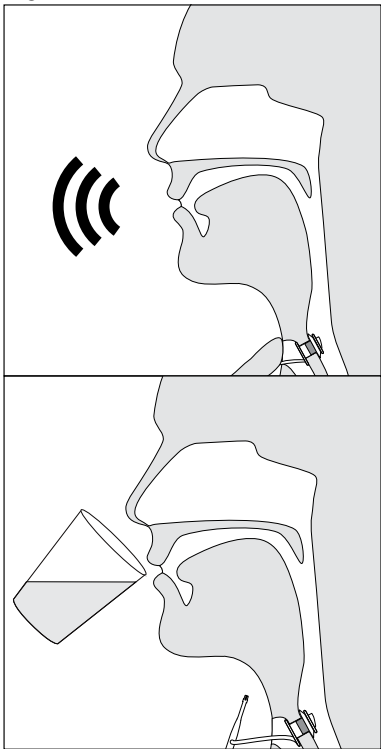
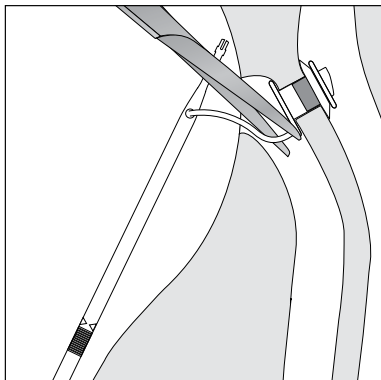


Figure. 14



Prescription information

CAUTION: United States Federal law restricts this device to sale, distribution and use by or on order of a physician or a licensed practitioner. The availability of this product without prescription outside the United States may vary from country to country.

Disclaimer

Atos Medical offers no warranty - neither expressed nor implied - to the purchaser hereunder as to the lifetime of the product delivered, which may vary with individual use and biological conditions.

Furthermore, Atos Medical offers no warranty of merchantability or fitness of the product for any particular purpose.

Patents and Trademarks

Provox® is a registered trademark owned by Atos Medical AB, Sweden.

Provox®Vega™ and XtraSeal™ are trademarks of Atos Medical AB.

For information about protective rights (e.g. patents), please refer to the webpage www.atosmedical.com/patents.

Contents

EN - ENGLISH.....	8
LV - LATVISKI.....	12

Provox® Vega™ XtraSeal™

1. Descriptive information

1.1 Intended use

The Provox Vega Voice Prosthesis is a sterile single use indwelling voice prosthesis intended for voice rehabilitation after surgical removal of the larynx (laryngectomy). Cleaning of the voice prosthesis is performed by the patient while it remains in situ.

The Provox Insertion System is a sterile single use device intended for anterograde replacement of the Provox Vega Voice Prosthesis. This replacement procedure is carried out by a medical doctor or a trained medical professional in accordance with local or national guidelines.

The Provox Insertion System is not intended to be used for insertion of a voice prosthesis in a freshly made puncture.

1.2 Description of the device

General

The Provox Vega is a one-way valve (prosthesis) that keeps a TE-puncture open for speech, while reducing the risk of fluids and food entering the trachea. The Provox Vega voice prosthesis is not a permanent implant, and needs periodic replacement. The prosthesis (Fig. 1) is available in different diameters and several lengths.

Provox Vega XtraSeal has an additional enlarged esophageal flange that is intended to solve problems with leakage around the voice prosthesis.

The device is made of medical grade silicone rubber and fluoroplastic.

Provox Vega XtraSeal package

The Provox Vega XtraSeal package contains the following items:

- 1 Provox Vega XtraSeal voice prosthesis, pre-assembled in a single use Insertion System, sterile (Fig. 2)
- 1 Provox Brush of a size corresponding to the voice prosthesis, non-sterile
- 1 Provox Vega XtraSeal Clinician's manual
- 1 Provox Vega Patient's manual
- 1 Provox Brush Instructions for Use

1.3 CONTRAINDICATIONS

There are no known contraindications for use or replacement of a Provox Vega voice prosthesis among patients already using prosthetic voice rehabilitation.

1.4 WARNINGS

- **Dislodgement or extrusion of the Provox Vega voice prosthesis** from the TE puncture and subsequent ingestion, aspiration or tissue damage may occur. A foreign body in the airway may cause severe complications such as acute respiratory distress and/or respiratory arrest.
- **Select the proper prosthesis size.** A tight fit may cause tissue necrosis and extrusion.
- **Instruct the patient to consult a physician** immediately if there are any signs of tissue edema and/or inflammation/infection.
- **Instruct the patient to consult a physician** if leakage through or around the voice prosthesis occurs. Leakage may cause aspiration pneumonia.
- **If used, choose laryngectomy tubes or stoma buttons** with a suitable shape that do not exert pressure on the prosthesis or catch onto the tracheal flange of the prosthesis during insertion and removal of the laryngectomy tube or stoma button. This may lead to severe tissue damage and/or accidental ingestion of the prosthesis.
- **Instruct the patient to use only genuine Provox accessories** of corresponding size (Brush, Flush, Plug) for maintenance and to avoid all other kinds of manipulation.
- **Re-use and re-processing** may cause cross-contamination and damage to the device, which could cause patient harm.

1.5 PRECAUTIONS

- Carefully assess any patient with bleeding disorders or who is undergoing anticoagulant treatment for the risk of bleeding or hemorrhage prior to placement or replacement of the prosthesis.
- Inspect the package before use. If the package is damaged or opened, do not use the product.
- Always use aseptic technique when handling the prosthesis in order to reduce infection risk.

2. Instructions for use

2.1 Choose size of the Voice prosthesis

Be sure to use a Provox Vega XtraSeal voice prosthesis of the proper shaft diameter and length. Provox Vega XtraSeal is available in different length/diameter combinations.

- **Selecting shaft diameter**

The Clinician should determine the proper diameter of the prosthesis appropriate for the patient.

If the selected diameter is larger than the previous prosthesis the tract must be dilated, using the Provox Dilator, appropriate to the diameter of the prosthesis being inserted.

If a prosthesis with a smaller shaft diameter is inserted, observe and ensure that the puncture shrinks to the appropriate diameter.

- **Selecting shaft length**

To select the correct length, you may use the current prosthesis as its own measuring device.

If there is too much (i.e. 3 mm /~0.12 inches, or more) space between the Tracheal Flange of the old prosthesis and the mucosal wall, a shorter prosthesis should be used.

If the prosthesis sits too tight, a longer prosthesis should be used.

Note: The shaft of Provox Vega XtraSeal is ca 1 mm shorter than the size indicated due to the enlarged esophageal flange.

2.2 Preparation

(Fig. 3-6)

Position voice prosthesis

1. Ensure the Voice Prosthesis is properly positioned on the Insertion Pin, firmly attached, and with the tip of the pin positioned all the way into the blue ring of the voice prosthesis (Fig. 3).

Fold the esophageal flange

2. Verify that the Insertion Pin is correctly positioned with the Folding Tool (The Pin shall be snapped into the Folding Tool).
3. Squeeze the Folding Tool together with two fingers (Fig. 4).
4. Attach the Loading Tube while keeping the Folding Tool closed and twist the Loading Tube until it locks in place (Fig. 5).

Load

5. Push the Insertion Pin forward until the voice prosthesis is aligned with the visible ring on the Loading Tube (Fig. 6).

Remove the old voice prosthesis

6. Remove the current (old) prosthesis from the TE-puncture by pulling it out with a non-toothed hemostat. Alternatively, at the clinician's discretion, the tracheal flange of the prosthesis can be grasped with forceps and cut off. The rest of the prosthesis is then pushed into the esophagus for passage through the intestinal tract. The patient's history of any intestinal diseases should be taken into account before using this method.

Prepare the puncture (optional)

7. The puncture may be dilated to prepare for the insertion of the voice prosthesis. This is usually not necessary but may facilitate insertion in patients with angled or tight punctures that easily collapse.

2.3 Insertion, Anterograde replacement procedure

(Fig. 7-10)

CAUTION: Provox Vega XtraSeal with enlarged esophageal flange must be placed using the overshooting technique to ensure the additional enlarged esophageal flange and the esophageal flange both deploy inside the esophageal lumen. Overshooting means that the whole prosthesis is deployed in the esophagus and then retracted to the intended position.

1. **Remove the Folding Tool (Optional)**

After the prosthesis has been pushed into the Loading Tube, remove the Folding Tool by unlocking and disconnecting it from the Loading Tube (Fig. 7).

2. **Enter the TE-puncture**

Hold the Provox Insertion System by the Loading Tube. Enter the puncture with the Loading Tube Tip. Proceed with care if you encounter resistance. If there is resistance, dilatation and/or lubrication can ease the insertion.

3. **Insert the voice prosthesis**

Hold the Loading Tube stable with one hand and push the Insertion Pin with the other hand beyond the Proximal grip surface, (Fig. 8). At this point voice prosthesis is fully deployed in the esophagus, (Fig.9).

If overshoot insertion is performed with the Folding Tool kept assembled, push the Insertion Pin beyond the Distal grip surface, (Fig.10). At this point the voice prosthesis is fully deployed in the esophagus, (Fig. 9).

4. **Release the voice prosthesis**

Pull the Loading Tube straight out from the puncture. The prosthesis remains in the esophagus; still firmly attached to the Insertion Pin. Grasp the tracheal flange with a non-toothed hemostat and pull/rotate the voice prosthesis into place.

5. **Finalize the procedure**

After insertion, finalize the procedure as described below in section 2.5.

2.4 Assembly and reloading the Provox Insertion System

If the first attempt to insert the Provox Vega XtraSeal into the TE-puncture was unsuccessful, it is possible to reload the voice prosthesis into the Provox Insertion System.

Position voice prosthesis

1. Mount the voice prosthesis with the tracheal side facing down on top of the Insertion Pin.
2. Attach the Safety Strap by leading it through the Attachment Slot from either side.

3. Ensure the Voice Prosthesis is properly positioned on the Insertion Pin, firmly attached and with the tip of the pin positioned all the way into the blue ring of the voice prosthesis (Fig. 3). Connect the Folding Tool.
4. Guide the Insertion Pin through the opening in the Folding Tool until it clicks in place. Pull the pin until the pin is snapped into the Folding Tool. (Fig. 11). The Provox Insertion System is now ready for preparation. Continue the preparation as described above in section 2.2.

CAUTION: Do not reload more than twice. If the Provox Vega voice prosthesis shows any signs of damage, do not use the voice prosthesis.

2.5 Finalize the procedure

After insertion:

Ensure proper fit

1. Ensure the proper position of the voice prosthesis by rotating and gently pulling the Insertion Pin (Fig. 12). The prosthesis is in an ideal position when the Safety Strap is pointing downwards.

CAUTION: Confirm that both esophageal flanges have deployed entirely in the lumen of the esophagus. No part of the enlarged esophageal flange should be visible alongside the shaft of the voice prosthesis and when rotated the voice prosthesis should move freely. Rotating the voice prosthesis while at the same time slightly pushing it towards the esophagus can help to unfold the enlarged flange completely. In case of uncertainty, use flexible endoscopy to confirm proper placement inside the esophagus.

Test proper function

2. Brush the Provox Vega with the Provox Brush. Test proper function of the prosthesis by asking the patient to speak and by observing that the prosthesis does not leak while the patient drinks water (Fig. 18).

Cut the Safety Strap

3. After ensuring the voice prosthesis is placed correctly, cut off the Safety Strap so that it is flush with the Tracheal Flange (Fig. 14). The voice prosthesis is now ready for use.

2.6 Disposal

Always follow medical practice and national requirements regarding biohazard when disposing of a used medical device.

3. Important patient information

3.1 General information

Ensure that the patient understands to contact their clinician if:

- There is leakage through or around the prosthesis (coughing and/or change of mucus color).
- Speaking becomes difficult (higher effort and/or voice sounds more strained).
- There are any signs of inflammation or tissue changes at the puncture site or the stoma region (pain, redness, heat, swelling, traces of blood on the brush after brushing).

Also inform the patient that:

- After a prosthesis replacement traces of blood may be found in the sputum. This may come from granulation tissue on the edges of the TE puncture.
- The Provox Vega Plug can be used to temporarily stop leakage through the voice prosthesis.
- Speech Training Sessions with a trained clinician are advised in order to acquire optimal voice sound, fluent speech, and optimal intelligibility.

3.2 Prosthesis maintenance

Instruct the patient when and how to clean the Provox Vega XtraSeal voice prosthesis. Cleaning the prosthesis at least twice a day can help prolong the device life.

CAUTION: Only use genuine Provox accessories that are intended for use with Provox Vega when cleaning the prosthesis.

- Brushing the prosthesis with the Provox Brush twice a day will help to remove mucus and food remnants from the prosthesis.
- Flushing the prosthesis with the Provox Flush also helps to clean debris and mucus from the prosthesis, can help increase the life of the device.

Note: The Provox Flush is intended for use only by patients who, as assessed by the clinician who prescribes the device, have demonstrated ability to understand and consistently follow the instructions for use without clinician supervision.

- Some dietary measures, like the daily intake of yogurt or butter milk containing lactobacilli, are considered to be helpful against excessive Candida growth.

For detailed information on how to clean a Provox Vega, please see Instructions for each accessory.

4. Additional information

4.1 Compatibility with MRI, X-ray and radiation therapy

Provox Vega XtraSeal voice prostheses have been tested and found to be compatible with Magnetic Resonance Imaging (tested up to 3 Tesla), x-ray and radiation therapy (tested

up to 70 Gy). The prosthesis can be left in the TE-puncture during the examination/therapy session. Note that the radio-opaque valve seat is visible on x-ray.

4.2 Device lifetime

Depending on individual biological circumstances the device life varies, and it is not possible to predict the integrity of the device over a longer period of time. The material of the device will be affected by e.g. bacteria and yeast, and the structural integrity of the device will eventually deteriorate.

Laboratory testings of simulated usage for a test period of 12 months show that, in the absence of bacteria and yeasts, the device will maintain its structural integrity for this time period. The device has not been tested for usage beyond 12 months. Usage beyond this limit is under the sole discretion of the prescriber.

4.3 Compatibility with antifungal medicine

Laboratory tests show only minor negative influence on the function of the Provox Vega voice prosthesis and components when using the following antifungal medications: Nystatin, Fluconazole, Miconazol.

5. Reporting

Please note that any serious incident that has occurred in relation to the device shall be reported to the manufacturer and the national authority of the country in which the user and/or patient resides.

Provox® Vega™ XtraSeal™

1. Aprakstošā informācija

1.1. Paredzētais lietojums

Provox Vega balss protēze ir sterila, vienreizlietojama, ilglaicīga balss protēze, kas paredzēta balss rehabilitācijai pēc balsenes ķirurģiskas izņemšanas (laringektomijas). Balss protēzes tīrīšanu veic pacients, kamēr protēze atrodas in situ.

Provox Insertion System ir sterila, vienreizlietojama ierīce, kas paredzēta Provox Vega balss protēzes anterogrādai nomaiņai. Nomainīšanas procedūru veic ārsts vai apmācīts profesionāls medicīnas darbinieks saskaņā ar vietējām vai valsts vadlīnijām.

Provox Insertion System nav paredzēta, lai ievietotu balss protēzi nesen veiktā punkcijā.

1.2. Ierīces apraksts

Vispārīgi

Provox Vega ir vienvirziena vārstulis (protēze), kas tur TE punkciju atvērtu runas funkcijas veikšanai, samazinot risku, ka ēdiens un šķidrums varētu iekļūt trahejā. Provox Vega balss protēze nav pastāvīgs implants, un tā ik pēc laika ir jānomaina. Protēzēm (1. attēls) ir dažādi diametri un vairāki izmēri.

Izstrādājumam Provox Vega XtraSeal ir papildu paplašināts barības vada atloks, kas paredzēts, lai atrisinātu problēmas ar noplūdi ap balss protēzi.

Ierīce ir veidota no medicīniskas silikona gumijas un fluoroplasta.

Provox Vega XtraSeal iepakojums

Provox Vega XtraSeal iepakojumā ir šādi priekšmeti:

- 1 Provox Vega XtraSeal balss protēze, kas iepriekš salikta vienreizlietojamā Insertion System, sterila (2. attēls)
- 1 Provox Brush (suka) izmērā, kas atbilst balss protēzei, nesterila
- 1 Provox Vega XtraSeal ārsta rokasgrāmata
- 1 Provox Vega pacienta rokasgrāmata
- 1 Provox Brush lietošanas norādījumu eksemplārs

1.3. KONTRINDIKĀCIJAS

Nav zināmu kontrindikāciju saistībā ar Provox Vega balss protēzes lietošanu vai nomaiņu to pacientu vidū, kas jau izmanto protēzes balss rehabilitācijai.

1.4. BRĪDINĀJUMI

- **Var būt iespējama Provox Vega balss protēzes atvienošana vai ekstrūzija** no TE punkcijas un tālāka uzņemšana ar pārtiku, aspirācija vai audu bojājumi. Svešķermenis elpceļos var izraisīt nopietnas komplikācijas, piemēram, akūtu respiratorā distresa sindromu un/vai elpošanas apstāšanos.
- **Izvēlieties pareizo protēzes izmēru.** Cieši pieguloša ierīce var izraisīt audu atmiršanu un ekstrūziju.
- **Instruējiet pacientu, ka nekavējoties jāsaazinās ar ārstu,** ja ir audu tūskas un/vai iekaisuma/infekcijas pazīmes.
- **Instruējiet pacientu, ka jāsaazinās ar ārstu,** ja notiek noplūde caur balss protēzi vai ap to. Noplūde var izraisīt aspirācijas pneimoniju.
- **Ja tiek izmantotas laringektomijas caurulītes vai stomas pogas, izvēlieties tādas,** kam ir piemērota forma, kas neizdara spiedienu uz protēzi vai neaizķeras aiz protēzes trahejas atloka laringektomijas caurulītes vai stomas pogas ievietošanas un izņemšanas laikā. Tas var izraisīt nopietnus audu bojājumus un/vai nejašu protēzes norīšanu kopā ar pārtiku.
- **Instruējiet pacientu izmantot tikai oriģinālos Provox piederumus** ar atbilstošu izmēru (piemēram, Brush, Flush, Plug), lai veiktu apkopi, un izvairītos no visu citu veidu manipulācijām.
- **Atkārtota lietošana un apstrāde** var izraisīt savstarpēju piesārņošanu un ierīces bojājumus, kas var kaitēt pacientam.

1.5. PIESARDZĪBAS PASĀKUMI

- Uzmanīgi novērtējiet visus pacientus ar asins recēšanas traucējumiem vai pacientus, kam tiek veikta antikoagulantu terapija, pirms protēzes novietošanas vai nomaiņas asiņošanas vai hemorāģijas riska dēļ.
- Pirms lietošanas pārbaudiet iepakojumu. Ja iepakojums ir bojāts vai atvērts, neizmantojiet izstrādājumu.
- Vienmēr izmantojiet aseptisku metodi, rīkojoties ar protēzi, lai samazinātu infekcijas risku.

2. Lietošanas norādījumi

2.1. Balss protēzes izmēra izvēle

Noteikti izmantojiet Provox Vega XtraSeal balss protēzi ar atbilstošu vārpstas izmēru un garumu. Provox Vega XtraSeal ir pieejams dažādās garuma/diametra kombinācijās.

• Vārpstas diametra izvēle

Ārstam jānosaka pareizais protēzes diametrs, kas ir piemērots pacientam.

Ja izvēlētais diametrs ir lielāks nekā iepriekšējai protēzei, jāveic trakta dilatācija, izmantojot Provox Dilator, lai trakts būtu piemērots ievietojamās protēzes diametram. Ja tiek ievietota protēze ar mazāku vārpstas diametru, novērojiet un nodrošiniet, ka punkcija saraujas līdz piemērotajam diametram.

- **Vārpstas garuma izvēle**

Lai izvēlētos pareizo garumu, varat izmantot pašreizējo protēzi kā mērierīci.

Ja starp vecās protēzes trahejas atloku un gļotādu sienu ir pārāk daudz brīvas vietas (t.i., 3 mm/aptuveni 0,12 collas vai vairāk), jāizmanto īsāka protēze.

Ja protēze pieguļ pārāk cieši, jāizmanto garāka protēze.

Piezīme. Provox Vega XtraSeal vārpsta ir par aptuveni 1 mm īsāka par norādīto izmēru paplašinātā barības vada atloka dēļ.

2.2. Sagatavošana

(3.–6. attēls)

Pozicionējiet balss protēzi

1. Pārliedzieties, ka balss protēze ir pareizi pozicionēta uz ievietošanas tapas, cieši piestiprināta un ar tapas galu pilnībā pozicionēta balss protēzes zilajā gredzenā (3. attēls).

Nolokiet barības vada atloku

2. Pārliedzieties, ka ievietošanas tapa ir pareizi pozicionēta ar locīšanas instrumentu (tapa jāiespiež locīšanas instrumentā).
3. Ar diviem pirkstiem saspiediet kopā locīšanas instrumentu (4. attēls).
4. Turot locīšanas instrumentu aizvērtu, pievienojiet ielādes caurulīti un pagrieziet ielādes caurulīti, līdz tā nofiksējas paredzētajā vietā (5. attēls).

Veiciet ielādi

5. Stumiet ievietošanas tapu uz priekšu, līdz balss protēze atrodas vienā līmenī ar redzamo gredzenu uz ielādes caurulītes (6. attēls).

Izņemiet veco balss protēzi

6. Izņemiet pašreizējo (vecu) protēzi no TE punkcijas, izvelkot to ar bezzobu knaiblēm. Alternatīvs risinājums ir pēc ārsta ieskatiem satvert protēzes trahejas atloku ar pinceti un nogriezt. Pēc tam pārējā protēze tiek iestumta barības vadā, lai izklūtu caur zarnu traktu. Pirms šīs metodes izmantošanas ir jāņem vērā pacienta zarnu slimību vēsture.

Sagatavojiet punkciju (nav obligāti)

7. Lai sagatavotos balss protēzes ievietošanai, var veikt punkcijas dilatāciju. Tas parasti nav nepieciešams, bet var sekmēt ievietošanu pacientiem ar slīpām vai ciešām punkcijām, kas viegli sakrīt.

2.3. Ievietošana, anterogrāda nomaiņas procedūra

(7.–10. attēls)

UZMANĪBU! Provox Vega XtraSeal ar paplašinātu barības vada atloku jāieliek, izmantojot pārsniegšanās metodi, lai nodrošinātu, ka papildu paplašinātais barības vada atloks un barības vada atloks abi izvietojas barības vada lūmenā. Pārsniegšanās nozīmē, ka visa balss protēze tiek ievietota barības vadā un tad atvilka līdz paredzētajai pozīcijai.

1. **Noņemiet locīšanas instrumentu (nav obligāti)**

Pēc tam, kad protēze ir iestumta ielādes caurulītē, noņemiet locīšanas instrumentu, atbloķējot un atvienojot to no ielādes caurulītes (7. attēls).

2. **Iekļūstiet TE punkcijā**

Turiet Provox Insertion System aiz ielādes caurulītes. Iekļūstiet punkcijā ar ielādes caurulītes uzgali. Ja saskaraties ar pretestību, turpiniet kustību ļoti uzmanīgi. Ja ir pretestība, dilatācija un/vai lubrikācija var atvieglot ievietošanu.

3. **Ievietojiet balss protēzi**

Stabili turiet ielādes caurulīti ar vienu roku un stumiet ievietošanas tapu ar otru roku, līdz tā atrodas pāri proksimālajai satveršanas virsmai (8. attēls). Šajā brīdī balss protēze ir pilnībā ievietota barības vadā (9. attēls).

Ja pārsniegšanās ievietošana tiek veikta ar saliktu locīšanas instrumentu, spiediet ievietošanas tapu pāri distālajai satveršanas virsmai (10. attēls). Šajā brīdī balss protēze tiek pilnībā ievietota barības vadā (9. attēls).

4. **Atlaidiet balss protēzi**

Velciet ielādes caurulīti tieši ārā no punkcijas. Protēze paliek barības vadā, joprojām droši piestiprināta pie ievietošanas tapas. Satveriet trahejas atloku ar bezzobu knaiblēm un ievielciet/iegrieziet balss protēzi paredzētajā vietā.

5. **Pabeidziet procedūru**

Pēc ievietošanas pabeidziet procedūru, kā norādīts tālāk, 2.5. sadaļā.

2.4. Provox Insertion System salikšana un atkārtota ielāde

Ja pirmais mēģinājums ievietot Provox Vega XtraSeal TE punkcijā nav izdevies, balss protēzi var atkārtoti ielādēt sistēmā Provox Insertion System.

Pozicionējiet balss protēzi

1. Ar trahejas pusi uz leju uzstādiet balss protēzi uz ievietošanas tapas augšpusi.
2. Pievienojiet drošības siksnīņu, no jebkuras puses vadot to cauri piestiprināšanas ligzdai.
3. Pārliedzieties, ka balss protēze ir pareizi pozicionēta uz ievietošanas tapas, cieši piestiprināta, un ka tapas gals ir pilnībā novietots balss protēzes zilajā gredzenā (3. attēls). Pievienojiet locīšanas instrumentu.

4. Vadiet ievietošanas tapu cauri locīšanas instrumenta atvērūmam, līdz tā nofiksējas paredzētajā vietā. Velciet tapu, līdz tapa tiek nofiksēta locīšanas instrumentā. (11. attēls). Tagad Provox Insertion System ir gatava sagatavošanai. Turpiniet sagatavošanu, kā norādīts iepriekš 2.2. sadaļā.

UZMANĪBU! Neveiciet ielādi vairāk kā divas reizes. Ja Provox Vega balss protēzei ir redzamas bojājumu pazīmes, neizmantojiet šo balss protēzi.

2.5. Procedūras pabeigšana

Pēc ievietošanas:

Nodrošiniet pareizu atbilstību

1. Pārliicinieties par balss protēzes pareizu pozīciju, pagriežot un maigi velkot ievietošanas tapu (12. attēls). Protēze atrodas ideālā pozīcijā, ja drošības siksnīņa ir vērsta lejup.

UZMANĪBU! Pārliicinieties, ka abi barības vada atloki ir pilnībā ievietoti barības vada lūmenā. Gar balss protēzes vārpstu nedrīkst būt redzama neviena paplašinātā barības vada atloka daļa, un, grozot balss protēzi, tai ir brīvi jāpārvietojas. Balss protēzes pagriešana, vienlaikus to nedaudz piespiežot barības vada virzienā, var palīdzēt pilnībā izvērst paplašināto atloku. Neskaidrību gadījumā izmantojiet elastīgo endoskopiju, lai pārliicinātos par pareizu izvietošanu barības vadā.

Pārbaudiet pareizu darbību

2. Notīriet Provox Vega ar Provox Brush. Pārbaudiet, vai protēzes darbība ir pareiza, lūdzot pacientam runāt un novērojot, vai, pacientam dzerot ūdeni, nav protēzes noplūdes (18. attēls).

Nogrieziet drošības siksnīņu

3. Kad esat pārliicinājies, ka balss protēze ir pareizi novietota, nogrieziet drošības siksnīņu, lai tā būtu vienā līmenī ar trahejas atloku (14. attēls). Tagad balss protēze ir gatava lietošanai.

2.6. Izmešana

Vienmēr ievērojiet ārstu prakses un valsts prasības attiecībā uz bioloģisko bīstamību, izmetot lietotu medicīnisko ierīci.

3. Svarīga informācija pacientiem

3.1. Vispārīga informācija

Pārliicinieties, ka pacients saprot, ka viņam jāsažinās ar ārstu, ja:

- Caur vai ap protēzi notiek noplūde (klepošana un/vai izmaiņas gļotādas krāsā)
- Runāšana ir apgrūtināta (lielāka piepūle un/vai balss izklausās vairāk saspringusi).
- Punkcijas vietā vai stomas reģionā ir iekaisuma pazīmes vai izmaiņas audos (sāpes, apsārtums, karstums, pietūkums, asins pēdas uz sukas pēc tīrīšanas).

Informējiet pacientu arī, ka:

- Pēc protēzes nomaiņas krēpās var būt asins pēdas. Tam par iemeslu var būt granulācijas audi TE punkcijas malās.
- Provox Vega Plug var tikt izmantots, lai īslaicīgi novērstu noplūdi caur balss protēzi.
- Ir ieteicamas runas vingrināšanas nodarbības ar apmācītu ārstu, lai iegūtu optimālu balss skaņu, plūstošu runu un optimālu saprotamību.

3.2. Protēzes apkope

Instruējiet pacientu, kad un kā tīrīt Provox Vega XtraSeal balss protēzi. Protēzes tīrīšana vismaz divas reizes dienā palīdz pagarināt ierīces mūža ilgumu.

UZMANĪBU! Protēzes tīrīšanai izmantojiet tikai oriģinālos Provox piederumus, kas ir paredzēti lietošanai ar Provox Vega.

- Protēzes tīrīšana ar Provox Brush divreiz dienā palīdz noņemt gļotas un ēdiena atliekas no protēzes.
- Ierīces skalošana ar Provox Flush arī palīdz notīrīt nosēdumus un gļotas no protēzes, kas var palīdzēt paildzināt ierīces darbības ilgumu.

Piezīme. Provox Flush ir paredzēts lietošanai tikai pacientiem, kurus ārsts, kurš izrakstījis ierīci, ir atzinis par spējīgiem saprast un pastāvīgi sekot lietošanas norādījumiem bez ārsta uzraudzības.

- Pastāv uzskats, ka daži uztura ieradumi (piemēram, katru dienu uzturā patērēt jogurtu vai paniņas, kas satur pienskābās baktērijas) var palīdzēt pret pārmērīgu Candida augšanu.

Sīkāku informāciju par Provox Vega tīrīšanu skatiet katra piederuma lietošanas norādījumos.

4. Papildu informācija

4.1. Saderība ar MR attēldiagnostiku, rentgena izmeklējumiem un staru terapiju

Provox Vega XtraSeal balss protēzes ir pārbaudītas un atzītas par saderīgām ar magnētiskās rezonanses attēldiagnostiku (pārbaudītas līdz pat 3 teslām), ar rentgena izmeklējumiem un staru terapiju (pārbaudītas līdz pat 70 Gy). Protēzi izmeklējumu/terapijas laikā drīkst atstāt TE punkcijā. Ņemiet vērā, ka kontrastvielas vārstuļa līgza ir redzama rentgena izmeklējumos.

4.2. Ierīces kalpošanas laiks

Atkarībā no individuālajiem bioloģiskajiem apstākļiem ierīces mūža ilgums atšķiras, un nav iespējams paredzēt ierīces integritāti ilgākā laika periodā. Ierīces materiālu ietekmēs, piemēram, baktērijas un raugs, un ierīces strukturālā integritāte laika gaitā pasliktināsies.

12 mēnešu ilga simulētas lietošanas pārbaudes perioda laboratoriskās pārbaudes uzrāda, ka bez baktēriju un rauga klātbūtnes ierīce šo laika periodu saglabās savu materiālo integritāti. Ierīces lietošana nav pārbaudīta ilgāk par 12 mēnešiem. Lietošana pēc šī laika ierobežojuma ir iespējama vienīgi pēc ārsta apsvērumiem.

4.3. Saderība ar pretsēnīšu zālēm

Laboratoriskās pārbaudes uzrāda tikai mazsvarīgu negatīvu ietekmi uz Provox Vega balss protēzes un tās sastāvdaļu darbību, izmantojot šādas pretsēnīšu zāles: nistatīns, flukonazols, mikonazols.

5. Ziņošana

Nemiet vērā, ka par jebkuru būtisku starpgadījumu, kas radies saistībā ar ierīci, jāziņo ražotājam un valsts iestādei valstī, kurā dzīvo lietotājs un/vai pacients.



Manufacturer; Ražotājs



Date of manufacture; Ražošanas datums



Use-by date; Derīguma termiņš



Batch code; Partijas kods



Product reference number; Produkta atsauces numurs



Do not re-use; Neizmantot atkārtoti



Sterilized using ethylene oxide; Sterilizēts, izmantojot etilēnoksīdu



Do not use if package is damaged; Neizmantot, ja iepakojums ir bojāts



Keep away from sunlight and keep dry; Sargāt no saules stariem un mitruma



Storage temperature limit; Uzglabāšanas temperatūras ierobežojums



Store at room temperature. Temporary deviations within the temperature range (max-min) are allowed; Uzglabāt istabas temperatūrā. Ir pieļaujamas īslaicīgas novirzes temperatūras diapazona ietvaros (min.–maks.)



Caution, consult instructions for use; Uzmanību! Izlasiet lietošanas norādījumus



Non-sterile; Nesterils



Instructions for use; Lietošanas norādījumi



Medical Device; Medicīniska ierīce



Instructions for use intended for clinician; Ārstiem paredzēti lietošanas norādījumi



Instructions for use intended for patient; Pacienti paredzēti lietošanas norādījumi



11466-LV, 2020-09-14

Atos
atosmedical.com



Atos Medical AB
Kraftgatan 8, SE-242 35 Hörby, Sweden
Tel: +46 (0)415 198 00 • info@atosmedical.com

© Atos Medical AB, Sweden.