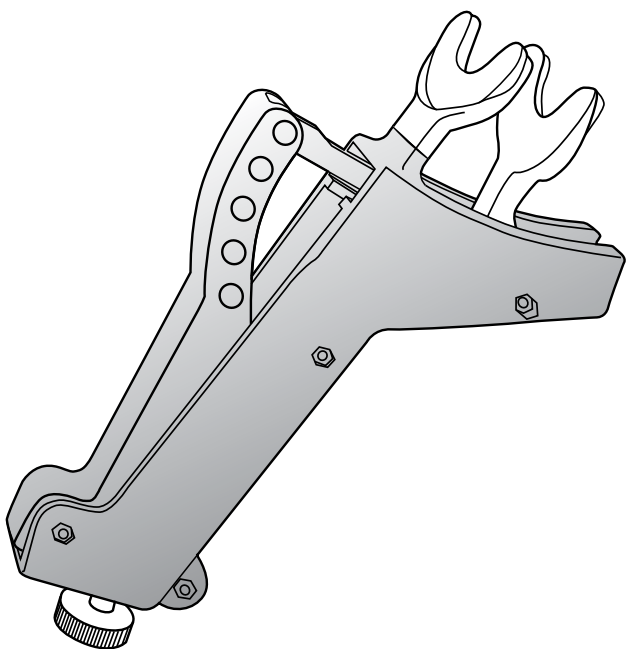
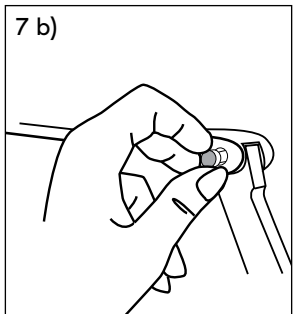
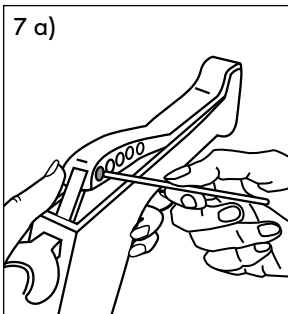
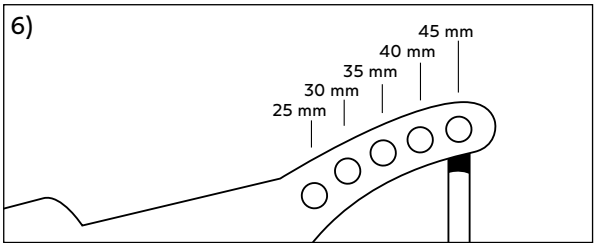
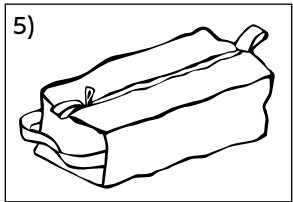
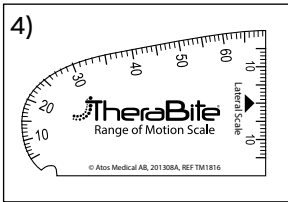
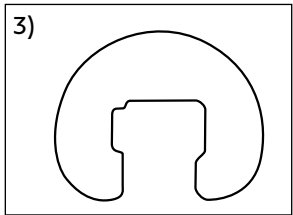
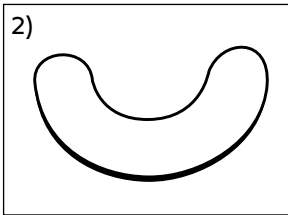
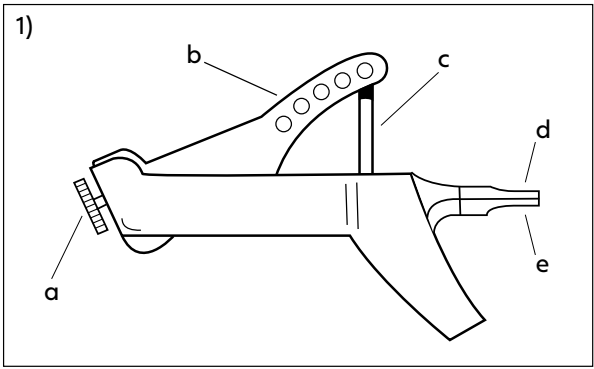
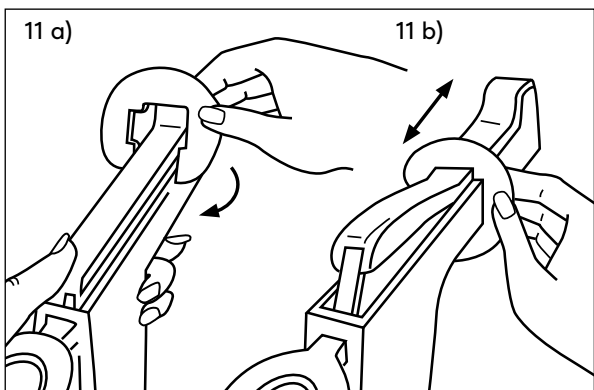
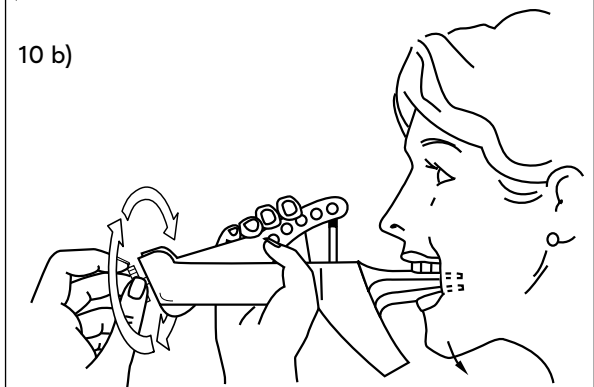
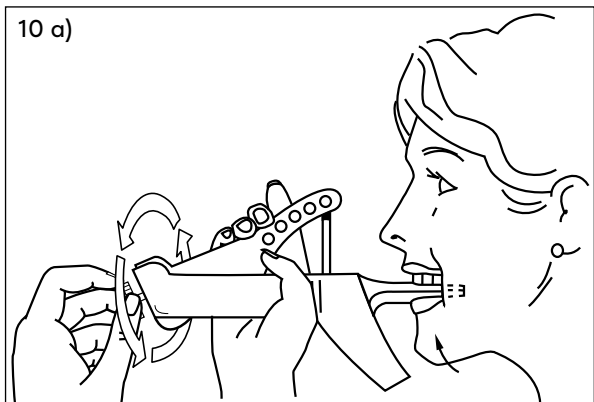
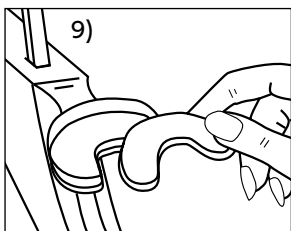
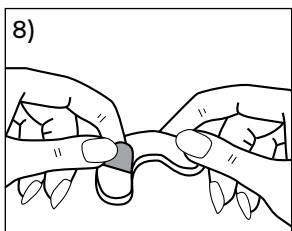


TheraBite®

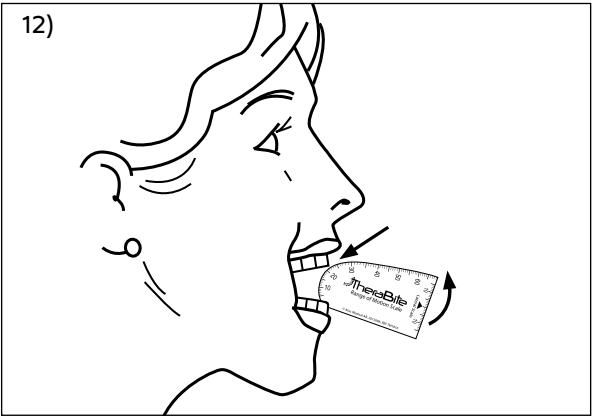
Jaw motion rehabilitation system™



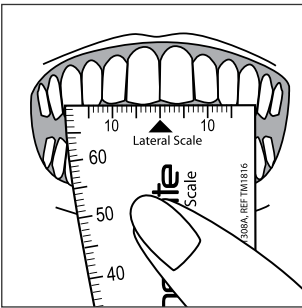




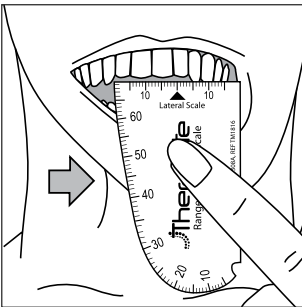
12)



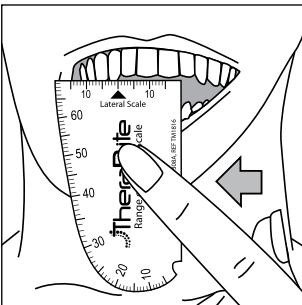
13 a)



13 b)



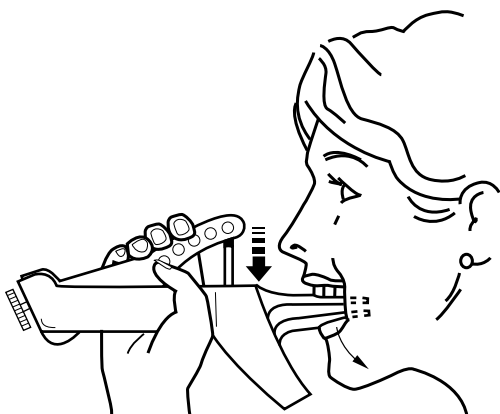
13 c)



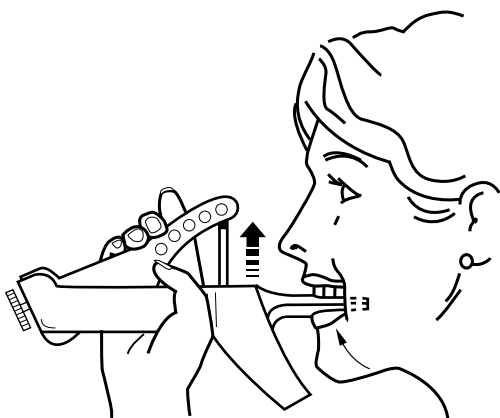
14 a)



14 b)



14 c)



Disclaimer

Atos Medical offers no warranty - neither expressed nor implied - to the purchaser hereunder as to the lifetime of the product delivered, which may vary with individual use and biological conditions. Furthermore, Atos Medical offers no warranty of merchantability or fitness of the product for any particular purpose.

Trademarks

TheraBite® is a registered trademark owned by Atos Medical AB, Sweden. ActiveBand™ is a trademark by Atos Medical AB.



Manufacturer; Hersteller; Fabrikant; Fabricant; Produttore; Fabricante; Fabricante; Tillverkare; Producent; Producers; Valmistaja; Framleiðandi; Tootja; Ražotājs; Gamintojas; Výrobce; Gyártó; Výrobca; Proizvajalec; Producent; Producător; Proizvođač; Proizvođač; Κατασκευαστής; Производител; Üretici; მწარმოებელი; Ἀρτοποιός; İstehsalçı; Производитель; Producent; Pengilang; 製造業者; 제조사; 製造商; 制造商; תוצרת; الجهة المصنعة



Date of manufacture; Herstellungsdatum; Productiedatum; Date de fabrication; Data di fabbricazione; Fecha de fabricación; Data de fabrico; Tillverkningsdatum; Fremstillingsdato; Produksjonsdato; Valmistuspäivä; Framleiðsludagsetning; Valmistamise kuupäev; Ražošanas datums; Pagaminimo data; Datum výroby; Gyártás időpontja; Dátum výroby; Datum proizvodnje; Data produkcji; Data fabricației; Datum proizvodnje; Datum proizvodnje; Ημερομηνία κατασκευής; Дата на производство; Üretim tarihi; წარმოების თარიღი; Ἀρτοποιιών ἀναμνηστική; İstehsal tarixi; Дата изготовления; Tanggal produksi; Tarikh pembuatan; 製造日; 제조일; 製造日期; 製造日期; תאריך ייצור; تاريخ التصنيع



Use-by date; Verfallsdatum; Houdbaarheidsdatum; Date limite d'utilisation; Data di scadenza; Fecha de caducidad; Data de validade; Används senast; Anvendes inden; Brukes innen; Viimeinen käyttöpäivä; Sídasti notkunardagur; Kölblik kuni; Derīguma termiņš; Naudoti iki; Datum expirace; Felhasználatóság dátuma; Dátum najneskoršej spotreby; Rok uporabnosti; Data ważności; Data expirării; Rok uporabe; Rok upotrebe; Ημερομηνία λήξης; Срок на годност; Son kullanım tarihi; ვარგისობა; Ἀἰσθητικῆς ἀποχρηστίας ὁρίζων; Son istifadə tarixi; Срок годности; Gunakan sebelum tanggal; Tarikh guna sebelum; 使用期限; 사용 기한; 使用截止日期; 使用截止日期; תאריך אחרון לשימוש; تاريخ انتهاء الصلاحية

LOT

Batch code; Chargencode; Partijnummer; Code de lot; Codice lotto; Código de lote; Código do lote; Batchkod; Batchkode; Batchkode; Eränumero; Lotunúmer; Partii kood; Partijas kods; Partijos kodas; Kód šarže; Sarzs kód; Kód šarže; Številka serije; Kod partii; Codul lotului; Šifra serije; Šifra serije; Κωδικός παρτίδας; Код на партида; Parti kodu; სერისის კოდი; Ισχύσαντων κλημάτων; Partiya kodu; Код партии; Kode batch; Kod kelompok; パツチコード; 배치 코드; 批次代碼; 批号; קוד אצווה; كود الدفعة

REF

Product reference number; Produktreferenznummer; Referentienummer product; Numéro de référence du produit; Numero riferimento prodotto; Número de referencia del producto; Referência do produto; Referensnummer; Produktreferenznummer; Produktreferenznummer; Artikelnummer; Tilvísunarnúmer vöru; Toote viitenumber; Produkta atsauces numurs; Gaminio katalogo numeris; Referenční číslo produktu; Termék referenciaszáma; Referenčné číslo produktu; Referenčna številka izdelka; Numer katalogowy produktu; Numărul de referință al produsului; Referentni broj proizvoda; Referentni broj proizvoda; Αριθμός αναφοράς προϊόντος; Референтен номер на продукт; Ürün referans numarası; პროდუქტის საკონტროლო ნომერი; Արտադրանքի տեղեկատու համարը; Məhsula istinad nömrəsi; Справочный номер изделия; Nomor referensi produk; Nombor rujukan produk; 製品参照番号; 제품 참조 번호; 產品參考號; 产品参考编号; מספר סימוכין של המוצר; الرقم المرجعي للمنتج



Do not re-use; Nur zum Einmalgebrauch; Niet hergebruiken; Ne pas réutiliser; Non riutilizzare; No reutilizar; Não reutilizar; Återanvänd ej; Må ikke genanvendes; Skal ikke gjenbrukes; Ei uudelleenkäytettävä; Má ekki endurnýta; Mitte taaskasutada; Neizmantot atkārtoti; Pakartotinai nenaudoti; Nepoužívejte opakovaně; Ne használja fel újra; Nepoužívajte opakovane; Ne uporabljajte ponovno; Nie używać ponownie; A nu se reutiliza; Nemojte ponovno upotrebljavati; Ne koristiti ponovo; Μην επαναχρησιμοποιείτε; Не използвайте повторно; Tekrar kullanmayın; არ გამოიყენოთ ხელახლა; Մեկանգամյա օգտագործման համար; Yenidən istifadə etməyin; Не подлежит повторному использованию; Jangan gunakan ulang; Jangan guna semula; 再利用不可; 재사용하지 마십시오; 請勿重複使用; 请勿重复使用; يجب عدم إعادة الاستخدام



Keep away from sunlight and keep dry; Vor Sonnenlicht und Feuchtigkeit schützen; Niet blootstellen aan zonlicht, droog bewaren; Maintenir à l'abri de la lumière directe du soleil et de l'humidité; Tenere all'asciutto e al riparo dalla luce del sole; Mantener seco y alejado de la luz solar; Manter afastado da luz solar e da chuva; Håll borta från solljus och håll torr; Holdes bort fra sollys og holdes tørt; Unngå direkte sollys, holdes tørt; Säilytetävä kuivassa paikassa suojassa auringonvalolta; Geymið fjarri sólarljósi og haldið þurru; Hoida kuivas ja eemal päikesevalgusest; Sargāt no saules stariem un mitruma; Saugoti nuo saulės šviesos ir laikyti sausai; Chraňte před slunečním zářením a udržujte v suchu; Tartsa a napfénytől távol, és tartsa szárazon; Chraňte pred slnečným žiarením a uchovávajte v suchu; Shranjujte na suhem in ne izpostavljajte sončni svetlobi; Chronić przed światłem słonecznym i przechowywać w suchym miejscu; A se feri de lumina soarelui și a se menține uscat; Čuvajte na suhom mjestu i podalje od Sunčeve svjetlosti; Držati dalje od sunčeve svetlosti i čuvati na suvom; Φυλάσσετε μακριά από το ηλιακό φως και διατηρείτε τη συσκευή στεγνή; Дръжте далече от слънчева светлина и съхранявайте на сухо място; Güneş

იჭინდან უკაკტა ვე კურუ ტუტუნ; შეინახეთ მზისგან დაცულ ადგილას და მშრალ მდგომარეობაში; Հռոու պահեք արևի ճառագայթներից և պահեք չոր տեղում; Gün işğından uzaqda və quru saxlayın; Берегите от воздействия прямых солнечных лучей и влаги; Hindarkan dari sinar matahari dan simpan di tempat yang kering; Jauhkan dari cahaya matahari dan pastikan sentiasa kering; 直射日光および湿気禁止; 직사광선이 닿지 않게 하고 건조한 상태로 유지하십시오; 避免日照並保持乾燥; 避免日照和保持干燥。;

יש להרחיק מאור השמש ולאחסן במקום יבש

يجب الحفاظ على المنتج جافًا وبعيدًا عن أشعة الشمس



Storage temperature limit; Lagertemperaturgrenze; Maximale bewaar­temperatuur; Limite de température de stockage; Temperature di stoccaggio; Límite de temperatura de almacenamiento; Limite da temperatura de armazenamento; Temperaturgränser för förvaring; Opbevaringstemperaturbegränsning; Oppbevaringstemperaturgrense; Säilytyslämpötilan raja; Takmarkanir á hitastigi við geymslu; Säilitustemperatuuri piirmäär; Uzglabāšanas temperatūras ierobežojums; Laikymo temperatūros riba; Maximální skladovací teplota; Tárolási hőmérsékletkorlát; Limit skladovacej teploty; Omejitve temperature za shranjevanje; Temperatura przechowywania; Limita temperaturii de depozitare; Ograničenje temperature skladištenja; Ograničenje temperature skladištenja; Όρια θερμοκρασίας αποθήκευσης; Границы на температурата на съхранение; Saklama sıcaklığı sınırı; შენახვის ტემპერატურის ლიმიტი; Qushuqanımın qerımısaıhındañı saħımánınıterp; Saxlama temperaturu həddi; Ограничения температуры хранения; Batas suhu penyimpanan; Had suhu simpanan; 保管温度制限; 보관 온도 제한; 儲存溫度限制; 儲存溫度限制; حد درجة الحرارة والتخزين



Store at room temperature. Temporary deviations within the temperature range (max-min) are allowed; Bei Zimmertemperatur lagern. Temperaturschwankungen innerhalb des Temperaturbereichs (min.–max.) sind zulässig; Bij kamertemperatuur bewaren. Tijdelijke afwijkingen van de temperatuur binnen de marge (min-max) zijn toegestaan; Stocker à température ambiante Des écarts temporaires dans la plage de température ambiante (max-min) sont autorisés; Conservare a temperatura ambiente. Sono consentiti scostamenti temporanei entro i limiti di temperatura (max-min); Almacenar a temperatura ambiente. Se permiten desviaciones temporales dentro del rango de temperatura (máx.-mín.); Guardar à temperatura ambiente. São permitidos desvios temporários dentro do intervalo das temperaturas (máx-min); Förvara i rumstemperatur. Tillfälliga avvikelser inom temperaturområdet (max–min.) är tillåtna; Oppbevar ved rumtemperatur. Midlertidige avvigelser i temperaturintervallet (maks-min) er tilladt; Oppbevares i romtemperatur. Midlertidige avvik innenfor temperaturområdet (maks.–min.) er tillatt; Säilytä huoneenlämmössä. Väliaikainen poikkeama lämpötila-alueella (suurin-pienin) on sallittu; Geymið við stofuhita. Tímabundin frávik innan hitasviðs (lágm.–hám.) eru leyfð; Hoida toatemperatuuril. Ajutised nihked temperatuurivahemikus (max–min) on

lubatud; Uzglabāt istabas temperatūrā. Ir pieļaujamas īslaicīgas novirzes temperatūras diapazona ietvaros (min.–maks.); Laikyti kambario temperatūroje. Leidžiami laikini nuokrypiai, neviršijantys temperatūros intervalo (didž.–maž.); Skladujte při pokojové teplotě. Dočasné odchylky od teplotního rozsahu (max–min) jsou povoleny; Tárolja szobahőmérsékleten. Az átmeneti ingadozás a hőmérséklet-tartományon belül (max.–min.) engedélyezett; Uchovávajte pri izbovej teplote. Dočasné odchýlky v rámci teplotného rozsahu (max – min) sú povolené; Shranjujte pri sobni temperaturi. Dovoljena so začasna odstopanja znotraj temperaturnega razpona (najv.–najm.); Przechowywać w temperaturze pokojowej. Dopuszczalne są przejściowe odchylenia w obrębie zakresu temperatury (maks. – min.); A se păstra la temperatura camerei. Sunt permise abateri temporare în intervalul de temperatură (min.–max.); Skladištite pri sobnoj temperaturi. Dopushtena su privremena odstupanja unutar raspona temperature (maks. – min.); Čuvati na sobnoj temperaturi. Dozvoljena su privremena odstupanja unutar temperaturnog opsega (maks.–min.); Φυλάσσετε σε θερμοκρασία δωματίου. Επιτρέπονται παροδικές αποκλίσεις εντός του εύρους θερμοκρασίας (μέγιστη-ελάχιστη); Съхранявайте на стайна температура. Временните отклонения в температурните диапазони (макс. – мин.) са разрешени; Oda sıcaklığında saklayın. Sıcaklık aralığı (maksimum-minimum) içerisinde geçici sapmalara izin verilir; შეინახეთ ოთახის ტემპერატურაზე. დროებითი გადახრები ტემპერატურის ფარგლებში (მაქს.-მინ.) დასაშვებია; ოთახის ტემპერატურაზე დროებითი გადახრები ტემპერატურის ფარგლებში (მაქს.-მინ.) დასაშვებია; ოთახის ტემპერატურაზე დროებითი გადახრები ტემპერატურის ფარგლებში (მაქს.-მინ.) დასაშვებია; Otaq temperaturunda saxlayın. Maksimum və minimum temperatur aralığında müvəqqəti uayınmalara icazə verilir; Храните при комнатной температуре. Допускаются временные отклонения интервала температур (макс.-мин.); Simpan pada suhu ruang. Deviasi sementara dalam rentang suhu (maks-min) diizinkan; Simpan pada suhu bilik. Penyimpangan sementara dalam julat suhu (maks-min) adalah dibenarkan: 室温で保管。温度範囲 (最大 ~ 最小) 内の温度逸脱は許容。; 실온에서 보관하십시오. 온도 범위내에서의 일시적인 편차(최대-최소)는 허용됩니다; 室温儲存。允許在溫度範圍內 (上限至下限) 的溫度差異。; 室温下存放。允許溫度範圍內 (最高-最低) 的暂时偏差。;

יש לאחסן בטמפרטורת החדר. מותרות סטיות זמניות בתוך טווח הטמפרטורה (מקסימום-מינימום).

يجب التخزين في درجة حرارة الغرفة. يُسمح باختلافات مؤقتة ضمن نطاق درجة الحرارة (الحد الأقصى-الحد الأدنى).



Caution, consult instructions for use; Vorsicht, Gebrauchsanweisung beachten; Let op: Raadpleeg de gebruiksaanwijzingen; Mise en garde, consulter le mode d'emploi; Attenzione, consultare le istruzioni per l'uso; Precaución, consultar instrucciones de uso; Cuidado, consultar as instruções de utilização; Varning, läs instruktion; Forsigtig, se brugsanvisning; Forsiktig, se bruksanvisningen; Varoitus, katso käyttöohjeet; Varúð, lesið notkunarleiddbeiningarnar; Ettevaatust, tutvuge kasutusjuhendiga; Uzmanību! Izlasiet lietošanas norādījumus; Dėmesio, skaityti naudojimo instrukciją; Upozornění, viz návod k použití; Figyelem, tájékozódjon a használati útmu

tatóból; Pozor, riad'te sa návodom na použitie; Pozor; glejte navodila za uporabo; Uwaga, należy zapoznać się z instrukcją obsługi; Atentie! Consultați instrucțiunile de utilizare; Pozor: proučíte upute za upotrebu; Oprez, konsultovati uputstvo za upotrebu; Προσοχή, συμβουλευτείτε τις οδηγίες χρήσης; Внимание, консультируйтесь с инструкцией за употреба; Dikkat, kullanmadan önce talimatları inceleyin; გაფრთხილება, მოითხოვეთ გამოყენების ინსტრუქცია; Оւշադրութիւն, հետևեք օգտագործման հրահանգներին; Xəbərdarlıq, istifadə qaydalarını oxuyun; Предостережение, обратитесь к инструкциям по применению; Perhatian, baca petunjuk penggunaan; Berhati-hati, rujuk arahan penggunaan; 注意、取扱説明書を参照; 주의, 사용 지침을 참조하십시오; 注意事項, 參閱使用說明; 小心, 參閱使用說明書; تنبيه, راجع تعليمات الاستخدام; הזהירות, יש לעיין בהוראות השימוש

MD

Medical Device; Medizinprodukt Medisch hulpmiddel; Dispositif médical; Dispositivo medico; Productio sanitario; Dispositivo médico; Medicinteknisk produkt; Medicinsk udstyr; Medisinsk utstyr; Lääkinnällinen laite; Lækningatæki; Meditsiiniseade; Medicīniska ierīce; Medicinos priemonė; Zdravotnický prostředek; Orvostechnikai eszköz; Zdravotnícka pomôcka; Medicinski pripomoček; Wyrób medyczny; Dispozitiv medical; Medicinski proizvod; Медицинско средство; Ιατροτεχνολογικό προϊόν; Медицинскоизделие; Tibbi cihaz; სამედიცინო მოწყობილობა; Բժշկական սարք; Tibbi Avadanlıq; Медицинское изделие; Peralatan Medis; Peranti Perubatan; 医療機器; 의료 장치; 醫療裝置; 医疗器械; התקן רפואי; جهاز طبي



Instructions for use; Gebrauchsanweisung; Gebruiksaanwijzing; Mode d'emploi; Istruzioni per l'uso; Instrucciones de uso; Instruções de utilização; Bruksanvisning; Brugsanvisning; Bruksanvisning; Käyttöohjeet; Notkunarleiðbeiningar; Kasutusjuhend; Lietošanas norādījumi; Naudojimo instrukcija; Návod k použití; Használati útmutató; Návod na použitie; Navodila za uporabo; Instrukcja użycia; Instrucțiuni de utilizare; Upute za upotrebu; Uputstvo za upotrebu; Οδηγίες χρήσης; Инструкции за употреба; Kullanım talimatları; გამოყენების ინსტრუქცია; օգտագործման հրահանգներ; İstifadə qaydaları; Инструкции по применению; Petunjuk penggunaan; Arahan penggunaan; 取扱説明書; 사용 지침; 使用說明; 使用说明书; تعليمات الاستخدام; ההוראות השימוש

Contents

EN - ENGLISH	13
DE - DEUTSCH	19
NL - NEDERLANDS.....	26
FR - FRANÇAIS.....	34
IT - ITALIANO.....	41
ES - ESPAÑOL.....	49
PT - PORTUGUÊS	56
HE - עברית.....	70
AR - العربية.....	76

Before starting any rehabilitation activity involving the TheraBite system every user should consider the benefits of medically supervised programs. Clinicians may select and combine exercises to form programs that are appropriate for each user's abilities and goals, including regular monitoring and review.

1. Descriptive information

1.1 Intended use

The TheraBite® Jaw Motion Rehabilitation System is indicated for individuals who have, or are at risk of developing trismus (restrictions in their ability to open their jaw), and/or experience pain in the joints and/or muscles of the jaw. The device can also be used as a rehabilitation tool for postoperative physical therapy of the jaw, or to maintain the mouth open in a stable position, for example while performing dysphagia exercises. The TheraBite system is intended for single-patient use only.

1.2 Contraindications

The TheraBite is not intended to be used by:

- Individuals who have or may have a fracture in the maxilla or mandible (upper or lower jaw) or other weaknesses of the bones of the jaw.
- Individuals with infections of the jaw, osteomyelitis (inflammation of bone and bone marrow), or osteoradionecrosis (necrosis of bone due to radiation) of the jaw.

1.3 Description of the device

The TheraBite Jaw Motion Rehabilitation System consists of the following parts:

- 1 pc Jaw Mobilizer (Fig. 1)
- 4 pcs Bite Pads (Fig. 2)
- 1 pc Hand-Aid (Fig. 3)
- 30 pcs Range of Motion Scales (Fig. 4)
- 1 pc Carrying Bag (Fig. 5)
- 1 pc Instructions for use
- 1 pc Exercise Log

The Jaw Mobilizer (Fig. 1) is a hand-held device with adjustable range that is designed to help users to improve or maintain the range of motion and strength of the jaw in an anatomically correct way. Pressure applied by the user on the Lever provides either opening force for passive motion or stretching or resistance to closing for strengthening.

The device consists of the following parts:

- a) Fine Adjustment Knob
- b) Lever
- c) Range Setting Arm
- d) Upper Mouthpiece
- e) Lower Mouthpiece

CAUTION: Do not attempt to detach the Mouthpieces from the device; this can cause failure during use.

The Bite Pads (Fig. 2) are self-adhesive pads intended to protect the user's teeth. They are available in three versions: Regular, Edentulous (toothless, thicker cushioning for customized trimming) and Pediatric. Clinicians may, according to their independent medical judgment, stack or trim the Bite Pads for extra protection

The Hand-Aid (Fig. 3) is a tool designed to hold the Lever down and maintain opening during stretching exercises.

The Range of Motion Scale (Fig. 4) is used to monitor the progress of the rehabilitation program. An area to record your progress is printed on the reverse side of the scale and an Exercise Log comes with your device to track your progress. The Range of Motion Scale is a disposable product and should not be cleaned.

1.4 Expectations of the device

Passive motion and stretching with the TheraBite

- is effective in the reduction of trismus resulting from radiation and/or scarring in head and neck cancer patients.
- is effective in the prevention of trismus in patients undergoing (chemo)radiation.
- can help to improve joint and jaw function, improve range of motion, and reduce pain in patients with temporomandibular disorders.
- has a positive effect on the outcome of surgery when used for early mobilization in patients who have undergone tempomandibular joint surgery.

The TheraBite can also strengthen the jaw muscles when resistance to closing is provided by hand or with the ActiveBand. During 'Open Swallow Exercise' the TheraBite can be used to hold the mouth open in a stable position.

NOTE: Prospective users should consult with their clinician before use to determine whether the TheraBite is appropriate for their individual condition.

1.5 WARNINGS

- **DO NOT** continue to exercise if you feel unexpected pain at any time while exercising with the TheraBite. You should immediately stop using the device and contact your clinician.
- **DO** exercise with great caution if you have weakened teeth, gum disease, weakened bones or joints in jaw, dental plates, crowns or bridges. Injury may occur if excessive force is applied while using the TheraBite.

1.6 PRECAUTIONS

- Do not sterilize the TheraBite. Sterilization processes may weaken the TheraBite and it may break during use.
- Always handle the TheraBite with care; it may break during use if damaged due to rough handling.
- Do not apply too high force on the Mouthpieces. They are designed to break if too much force is applied during use in order to avoid injury to the jaw.

2. Instructions for use

Before the first use, the maximum opening of the TheraBite appropriate for each individual user should be determined by the clinician.

2.1 Preparation

Setting Maximum Opening of the Jaw Mobilizer

Maximum openings of approximately 25 to 45 millimeters can be set either by the position of the Range Setting Arm or the position of the Fine Adjustment Knob. The TheraBite can be used without adjusting these settings, depending on the user's ability to understand and implement instructions for the application of appropriate pressure.

Adjust the Range Setting Arm (Fig. 6-7)

- Hold the device on its side.
- Use a pointed object (such as a pen) to move the pin that connects the Range Setting Arm to the Lever (Fig. 7a & 7b).
- Align the Range Setting Arm in the desired position and replace the pin. (Range change is approximately 5 mm per interval.)

The scale on the Jaw Mobilizer is for reference only. Use the Range of Motion Scale for more accurate reference.

2.2 Operating instruction

Before each use check that the device is undamaged. Do not use the device if it is damaged.

Put on the Bite Pads (Fig. 8-9)

Always make sure that the Mouthpieces are completely dry before attaching the Bite Pads.

- Peel off the liner (Fig. 8).
- Attach one Bite Pad to the Upper Mouthpiece and one to the Lower Mouthpiece (Fig. 9).
- Apply pressure with your fingers to ensure proper adhesion to the Mouthpieces. Pressure and warmth under a prolonged period will make the Bite Pads stick better.

To enhance adhesion of the Bite Pads, attach the Bite Pads to the Mouthpieces before going to bed and leave them on overnight. The adhesive bond on the Bite Pads increases over time, the longer they are attached prior to use, the more strongly they will tend to adhere.

Replace the Bite Pads when they become worn. Additional Bite Pads can be ordered separately.

CAUTION: Bite Pads or parts of the pads that become loose during use might obstruct breathing. Always make sure that the Bite Pads are securely attached to the Mouthpieces.

Use the Fine Adjustment Knob (Fig. 10)

The Fine Adjustment Knob can be used to slow down or stop the motion created by the Jaw Mobilizer. If the Knob should break for any reason, a new one can be ordered separately.

- Turn the knob all the way in (counterclockwise) to stop the Lever in the highest position (Fig. 10a).
- While squeezing gently, turn the knob out (clockwise) to allow the Lower Mouthpiece to move down slowly (Fig. 10b).
- The Lever may be released at any time without turning the Fine Adjustment Knob.

Use the Hand-Aid (Fig. 11)

- Hold the Jaw Mobilizer in your left hand, and loosen the Fine Adjustment Knob so that the Lever can be squeezed all the way down.
- Take the Hand-Aid in your right hand with the narrow groove on top.
- Squeeze the Lever down, and place the open side of the Hand-Aid over the lowest part of the Lever (Fig. 11a).
- Rotate the Hand-Aid one-quarter turn clockwise, so that the handle groove is over the handle, and release the squeeze.
- To use, slide the Hand-Aid towards the mouth (Fig. 11b).

To measure the maximal mouth opening (Maximal Interincisal Opening) (Fig. 12)

- Open your mouth as widely as possibly without discomfort.
- Place the Range of Motion Scale so that the notch rests on the edge of a lower front tooth.
- Rotate the range of motion scale until it contacts an upper front tooth.
- Take the reading at the point of contact.

In edentulous users, the distance can be measured between the upper and lower dentures, or if the user is not wearing dentures between the upper and lower alveolar ridges (gums).

To measure Lateral Movement (Fig. 13)

- Rest the Range of Motion Scale against the chin with the upper and lower teeth gently closed together.
- Align the arrow with a space between two upper teeth (Fig. 13a).
- Move the jaw gently side-to-side and read the measurement on the Lateral Scale opposite the new position of the space (Fig. 13b & 13c).

2.3 Exercise programs

It is recommended that your clinician selects and combines exercises that are appropriate for you, including regular monitoring and review.

A commonly used exercise program is 5-5-30: Five times per day. Five stretches each time. Each stretch held for 30 seconds. When short stretches are deemed sufficient a common exercise program used is 7-7-7: Seven times per day. Seven stretches each time. Each stretch held for seven seconds.

Stretching/passive motion

- Adjust the Fine Adjustment Knob so that the Lever moves freely. Let the Lever come all the way up.
- Hold the Jaw Mobilizer in the hand most comfortable for you.
- Relax and place the Mouthpieces between your teeth. Your front teeth should just touch the inside rim of the Upper Mouthpiece (Fig. 14a).
- Slowly squeeze the Lever to open the Mouthpieces. Do not bite on the Mouthpieces (Fig. 14b).
- Allow your jaw to follow along with the motion of the Mouthpieces. Be careful not to tilt the Jaw Mobilizer up or down as you squeeze the Lever. Tilting may cause your jaw to move incorrectly.
- Hold open as long as instructed.
- Relax the squeeze, allowing your mouth to slowly close (Fig. 14c).

If you find it difficult to hold the Mouthpieces open, you may use the Hand-Aid.

Strengthening

- Insert the Mouthpieces and squeeze until you reach the opening as instructed.
- Bite against the Mouthpieces without releasing the Lever.
- Slowly release the Lever, allowing your mouth to close against the hand pressure. Your clinician will advise you how hard to squeeze while closing.
- Rest briefly, and repeat.

For strengthening exercises using the TheraBite ActiveBand, see the TheraBite ActiveBand instructions for use.

2.4 Use of Exercise Log

Use the Range of Motion Scale to size your mouth opening before and after each exercise. The exercise log is used to document and monitor your progress. The columns in the log are for the following data:

Section 1: Daily Exercise Log

A: Date

B: Time

C: Type of exercise program/day

D: Sizing of jaw opening

1) Before; 2) After the exercise program.

Section 2: Monthly Exercise Log

The X-axis displays the day of the month. Use the last sizing of the day from the Daily Exercise Log and enter on the Y-axis.

2.5 Cleaning

Use water and dish soap to clean the TheraBite Jaw Mobilizer and Hand-Aid. Rinse well, shake off excess water, and let dry. After cleaning, examine the Bite Pads and replace them if necessary.

NOTE: The Mouthpieces are made of a material that tends to retain moisture. Therefore make sure that the Mouthpieces are completely dry before replacing the Bite Pads and also before use.

Do not soak the TheraBite Jaw Mobilizer in any liquid or attempt to wash it in a dish washer.

Failure to follow the above may change the products properties and result in malfunction.

2.6 Device lifetime

Depending on handling and usage, the device life time varies. Laboratory testing of simulated daily usage for a test period of 12 month show that the device will maintain its structural integrity for this time period. Usage beyond this time is under the sole discretion of the user.

2.7 Additional devices

TheraBite ActiveBand: an elastic silicone band used together with the Jaw Mobilizer to increase and / or maintain strength and endurance of the chewing muscles.

2.8 Disposal

Always follow medical practice and national requirements regarding biohazards when disposing of a used medical device.

3. Troubleshooting information

A build-up develops on the Mouthpieces

Possible cause: Build-up may be due to collected dirt on Mouthpieces after long periods of use or incorrect cleaning methods.

What to do: Use an emery board (nail file) to lightly file the surface of the Mouthpieces and rinse off the residue completely. Dry the Mouthpieces and apply new Bite Pads. Follow cleaning instructions.

Bite Pads do not stick properly to Mouthpieces

Possible cause: Bite Pads may not stick properly if the Mouthpieces contain moisture or if the Bite Pads were not properly placed on the Mouthpieces.

What to do: Always make sure the Mouthpieces are completely dry and free of build-up before applying the Bite Pads. Apply sufficient pressure to ensure good initial adhesion to the Mouthpieces. Allow the adhesive to bond overnight if possible before use.

4. Additional information

4.1 User assistance information

For additional help or information please see back cover of this instructions for use for contact information.

5. Reporting

Please note that any serious incident that has occurred in relation to the device shall be reported to the manufacturer and the national authority of the country in which the user and/or patient resides.

DEUTSCH

Ehe mit Rehabilitationsmaßnahmen mit dem TheraBite-System begonnen wird, sollte jeder Anwender über die Vorteile eines ärztlich überwachten Programms nachdenken. Um Programme zu erstellen, kann ein Arzt Übungen auswählen und miteinander kombinieren, die den Fähigkeiten und Zielen eines jeden Anwenders angemessen sind.

1. Beschreibende Informationen

1.1 Verwendungszweck

Das “TheraBite® Kieferbewegung-Rehabilitationssystem“ ist für Personen indiziert, die einen Trismus (Einschränkung der Kieferbeweglichkeit) entwickelt haben oder bei denen die Gefahr eines solchen besteht und/oder die Schmerzen in den Gelenken und/oder Muskeln des Kiefers verspüren. Das Instrument kann zudem als Werkzeug zur Rehabilitation im Rahmen der postoperativen Physiotherapie des Kiefers verwendet werden. Es kann außerdem dazu dienen, den Mund in einer stabilen Stellung offen zu halten, z. B. während Übungen zur Therapie von Schluckstörungen durchgeführt werden.

Das TheraBite-System ist für die Anwendung durch einen einzigen Patienten gedacht.

1.2 Kontraindikationen

Das TheraBite ist nicht für den Gebrauch indiziert:

- durch Personen, die einen Bruch im Ober- oder Unterkiefer haben oder bei denen der Verdacht auf einen Bruch besteht oder im Fall von sonstiger Knochenschwäche im Kiefer.
- durch Personen mit einer Infektion des Kiefers, Osteomyelitis (Entzündung des Knochens und Knochenmarks) oder Osteoradionekrose (Nekrose des Knochens infolge von Bestrahlung) des Kiefers.

1.3 Beschreibung des Instruments

Das TheraBite Kieferbewegung-Rehabilitationssystem setzt sich aus den folgenden Teilen zusammen:

- 1 Stck. Kiefermobilisator (Abb. 1)
- 4 Stck. Bite Pads (Bisspolster) (Abb. 2)
- 1 Stck. Hand-Aid (Arretierscheibe) (Abb. 3)
- 30 Stck. Range of Motion Scales (Messhilfe für die maximale Kieferöffnung) (Abb. 4)
- 1 Stck. Carrying Bag (Tragetasche) (Abb. 5)
- 1 Stck. Bedienungsanleitung
- 1 Stck. Übungsprotokoll

Beim Kiefermobilisator (Abb. 1) handelt es sich um ein Handinstrument mit verstellbarem Bereich, das dafür gedacht ist, dem Anwender dabei zu helfen, dessen Beweglichkeit und Muskelkraft des Kiefers auf anatomisch korrekte Art und Weise zu erhöhen oder zu erhalten. Der vom Anwender auf den Hebel ausgeübte Druck sorgt entweder für Öffnungskraft bei passiven Bewegungsübungen oder für Dehnkraft oder Schließwiderstand bei Kraftübungen.

Das Instrument setzt sich aus den folgenden Teilen zusammen:

- a) Rädchen für die Feineinstellung
- b) Hebel
- c) Range Setting Arm (Bereich-Einstellarm)
- d) Oberes Mundstück
- e) Unteres Mundstück

VORSICHT: Versuchen Sie nicht, die Mundstücke vom Instrument zu lösen; dies kann während des Gebrauchs zum Versagen desselben führen.

Bei den Bisspolstern (Abb. 2) handelt es sich um selbsthaftende Pads, mit denen die Zähne des Anwenders geschützt werden sollen. Sie sind in drei Versionen erhältlich: Regular (Normal), Edentulous (Zahnlos) (stärkere Polsterung, die der Anwender nach Bedarf zuschneiden kann) und Pediatric (Für Kinder). Ärzte können die Bisspolster nach ihrem unabhängigen medizinischen Ermessen für zusätzlichen Schutz aufeinanderstapeln oder zuschneiden.

Bei der Arretierscheibe (Abb. 3) handelt es sich um ein Werkzeug, mit dem der Hebel nach unten gedrückt gehalten und so bei Dehnübungen für eine dauerhafte Öffnung gesorgt wird.

Die Messhilfe für die maximale Kieferöffnung (Abb. 4) dient zur Überwachung des Fortschritts im Rahmen des Rehabilitationsprogramms. Auf der Rückseite der Skala ist ein Bereich aufgedruckt, in dem Sie Ihren Fortschritt aufzeichnen können. Ihrem Instrument liegt außerdem ein Übungsprotokoll bei, mit dem Sie Ihren Fortschritt ebenfalls festhalten können. Bei der Messhilfe für die maximale Kieferöffnung handelt es sich um ein Einwegprodukt, das nicht gereinigt werden sollte.

1.4 Erwartungen an das Instrument

Passive Bewegungs- und Dehnübungen mit dem TheraBite

- helfen bei der Minderung von Trismus infolge einer Bestrahlung und/oder Narbenbildung bei Patienten mit Krebs im Kopf- bzw. Halsbereich.
- sind ein wirksames Mittel zur Vermeidung von Trismus bei Patienten, die sich einer (Chemo-)Radiotherapie unterziehen.
- können dazu beitragen, die Funktion von Gelenk und Kiefer zu verbessern, die Beweglichkeit zu vergrößern und Schmerzen bei Patienten mit Erkrankungen des Kiefergelenks zu lindern.
- beeinflussen das Ergebnis von Operationen günstig, wenn sie bei Patienten, die sich einer Operation des Kiefergelenks unterzogen haben, frühzeitig zur Mobilisierung eingesetzt werden.

Das TheraBite kann zudem die Kiefermuskulatur stärken, wenn von Hand oder mit dem ActiveBand ein Schließwiderstand ausgeübt wird. Während der „Schluckübung bei Öffnung“ kann das TheraBite eingesetzt werden, um den Mund in einer stabilen Stellung zu halten.

HINWEIS: Zukünftige Anwender sollten sich vor dem Gebrauch an ihren Arzt wenden, um zu bestimmen, ob das TheraBite für ihre jeweilige Erkrankung geeignet ist.

1.5 WARNHINWEISE

- Fahren Sie **NICHT** mit den Übungen fort, wenn im Verlauf der Übungen mit dem TheraBite Schmerzen auftreten. Unterbrechen Sie den Gebrauch des Instruments sofort und wenden Sie sich an Ihren Arzt.
- Gehen Sie sehr **VORSICHTIG** vor, wenn Sie lose Zähne haben, an einer Zahnfleischerkrankung leiden, geschwächte Kieferknochen oder -gelenke, Kronen oder Brücken haben oder eine Zahnprothese tragen. Wird während dem Gebrauch des TheraBite übermäßige Kraft ausgeübt, kann es zu Verletzungen kommen.

1.6 VORSICHTSMASSNAHMEN

- Sterilisieren Sie das TheraBite nicht. Das TheraBite kann durch Sterilisationsmaßnahmen in der Struktur geschwächt werden und während des Gebrauchs brechen.
- Handhaben Sie das TheraBite behutsam; wird es aufgrund einer groben Handhabung beschädigt, kann es während des Gebrauchs brechen.
- Üben Sie keine übermäßige Kraft auf die Mundstücke aus. Sie sind so konzipiert, dass Sie brechen, wenn zu viel Kraft ausgeübt wird, um Verletzungen des Kiefers zu vermeiden.

2. Bedienungsanleitung

Vor dem ersten Gebrauch sollte vom Arzt bestimmt werden, welche maximale Öffnungsweite bei jedem einzelnen Anwender angebracht ist.

2.1 Vorbereitung

Einstellen der maximalen Öffnung des Kiefermobilisators

Eine maximale Öffnung von ca. 25 bis 45 Millimetern kann entweder anhand der Position des Bereich-Einstellarms oder der Position des Rädchens für die Feineinstellung eingestellt werden. Das TheraBite kann je nach Fähigkeit des Anwenders, die Anweisungen für die Ausübung eines angemessenen Drucks zu verstehen und umzusetzen, auch ohne eine solche Einstellung verwendet werden.

Anpassen des Bereich-Einstellarms (Abb. 6-7)

- Halten Sie das Instrument seitlich.
- Verschieben Sie mit einem spitzen Gegenstand (z. B. mit einem Kugelschreiber) den Stift, der den Bereich-Einstellarm mit dem Hebel verbindet (Abb. 7a und 7b).
- Richten Sie den Bereich-Einstellarm in der gewünschten Stellung aus und setzen Sie den Stift wieder ein. (Der Bereich verändert sich in Schritten von ca. 5 mm.)

Die Skala auf dem Kiefermobilisator dient nur zur Orientierung. Genauer können Sie sich mit der Messhilfe für die maximale Kieferöffnung orientieren.

2.2 Verfahrensanleitung

Vergewissern Sie sich vor jedem Gebrauch, dass das Instrument unbeschädigt ist. Verwenden Sie das Instrument nicht, wenn es beschädigt ist.

Setzen Sie die Bisspolster auf (Abb. 8-9)

Achten Sie stets darauf, dass die Mundstücke gänzlich trocken sind, ehe Sie die Bisspolster anbringen.

- Ziehen Sie die Folie ab (Abb. 8).
- Kleben Sie ein Bisspolster am oberen Mundstück und ein weiteres am unteren Mundstück fest (Abb. 9).
- Üben Sie mit den Fingern Druck aus, um sicherzustellen, dass eine ausreichende Haftung an den Mundstücken besteht. Durch längeres Ausüben von Druck und Wärme haften die Bisspolster besser.

Um die Haftung der Bisspolster zu erhöhen, können Sie diese vor dem Zubettgehen an den Mundstücken befestigen und über Nacht dort belassen. Die Haftung der Bisspolster nimmt mit der Zeit zu; je länger sie vor dem Gebrauch angebracht waren, desto stärker haften sie an.

Tauschen Sie die Bisspolster aus, wenn sie abgenutzt sind. Zusätzliche Bisspolster können separat bestellt werden.

VORSICHT: Wenn sich die Bisspolster oder Teile derselben während des Gebrauchs lösen, kann dies die Atmung behindern. Vergewissern Sie sich stets, dass die Bisspolster sicher an den Mundstücken haften.

Verwenden des Rädchens für die Feineinstellung (Abb. 10)

Mit dem Rädchen für die Feineinstellung kann die vom Kiefermobilisator ausgehende Bewegung verlangsamt oder unterbrochen werden. Sollte das Rädchen aus irgendwelchen

Gründen brechen, kann ein neues Rädchen separat bestellt werden.

- Drehen Sie das Rädchen ganz nach innen (gegen den Uhrzeigersinn), um den Hebel in der höchsten Stellung zu belassen (Abb. 10a).
- Drücken Sie den Hebel leicht zusammen und drehen Sie das Rädchen dabei nach außen (im Uhrzeigersinn), um das untere Mundstück langsam zu senken (Abb. 10b).
- Der Hebel kann jederzeit ohne Drehen des Rädchens für die Feineinstellung losgelassen werden.

Verwenden der Arretierscheibe (Abb. 11)

- Halten Sie den Kiefermobilisator in Ihrer linken Hand und lösen Sie das Rädchen für die Feineinstellung, damit der Hebel ganz nach unten gedrückt werden kann.
- Halten Sie die Arretierscheibe mit der schmalen Kerbe nach oben in Ihrer rechten Hand.
- Drücken Sie den Hebel nach unten und führen Sie die offene Seite der Arretierscheibe über den schmalsten Teil des Hebels (Abb. 11a).
- Drehen Sie die Arretierscheibe eine Vierteldrehung im Uhrzeigersinn, so dass die Kerbe des Griffs über dem Griff liegt und lassen Sie los.
- Schieben Sie die Arretierscheibe zum Gebrauch in Richtung des Mundes (Abb. 11b).

Messen der maximalen Mundöffnung (maximale Interincisialöffnung) (Abb. 12)

- Öffnen Sie den Mund, so weit dies ohne Schwierigkeiten möglich ist.
- Platzieren Sie die Messhilfe für die maximale Kieferöffnung so, dass die Kerbe auf der Kante eines Ihrer unteren Schneidezähne liegt.
- Drehen Sie die Messhilfe für die maximale Kieferöffnung, bis sie auf einen oberen Schneidezahn trifft.
- Lesen Sie den Wert am Berührungspunkt ab.

Bei zahnlosen Anwendern kann der Abstand zwischen dem oberen und unteren Zahnersatz, oder – falls der Anwender keinen Zahnersatz trägt – zwischen dem oberen und unteren Alveolarkamm (Zahnfleisch) gemessen werden.

Messen der Seitenbewegung (Abb. 13)

- Legen Sie die Messhilfe für die maximale Kieferöffnung bei bequem geschlossenen oberen und unteren Zähnen gegen das Kinn.
- Richten Sie den Pfeil mit einem Zwischenraum zwischen zwei der oberen Zähne aus (Abb. 13a).
- Bewegen Sie den Kiefer sanft von einer Seite zur anderen und lesen Sie den Wert auf der Seitenskala gegenüber der neuen Position des Zwischenraums ab (Abb. 13b und 13c).

2.3 Übungsprogramme

Es wird empfohlen, dass Ihr Arzt die für Sie geeigneten Übungen auswählt und miteinander kombiniert. Dies gilt auch für die regelmäßige Überwachung und Überprüfung.

Ein häufig verwendetes Übungsprogramm ist 5-5-30: Fünfmal pro Tag. Jeweils fünf Dehnung. Jede Dehnung wird 30 Sekunden lang gehalten. Wenn kurze Dehnungen als ausreichend betrachtet werden, wird als Übungsprogramm häufig 7-7-7 verwendet: Siebenmal pro Tag. Jeweils sieben Dehnungen. Jede Dehnung wird sieben Sekunden lang gehalten.

Dehnung/passive Bewegung

- Verstellen Sie das Rädchen für die Feineinstellung so, dass sich der Hebel frei bewegen lässt. Lassen Sie den Hebel ganz nach oben gleiten.
- Halten Sie den Kiefermobilisator in der Hand, die Ihnen am bequemsten erscheint.
- Entspannen Sie sich und platzieren Sie die Mundstücke zwischen Ihren Zähnen. Ihre Schneidezähne sollten den inneren Rand des oberen Mundstücks leicht berühren (Abb. 14a).
- Drücken Sie den Hebel leicht, um die Mundstücke zu öffnen. Beißen Sie nicht auf die Mundstücke (Abb. 14b).
- Lassen Sie Ihren Kiefer den Bewegungen der Mundstücke folgen. Achten Sie darauf, den Kiefermobilisator nicht nach oben oder nach unten zu neigen, wenn Sie den Hebel zusammendrücken. Eine Neigung kann zu einer falschen Bewegung des Kiefers führen.
- Halten Sie den Mund so lange geöffnet, wie angewiesen.
- Lassen Sie den Hebel los, so dass sich Ihr Mund langsam schließt (Abb. 14c).

Falls Sie Schwierigkeiten haben, die Mundstücke offen zu halten, können Sie die Arretierscheibe benutzen.

Kraftübung

- Führen Sie die Mundstücke ein und drücken Sie den Hebel, bis Sie wie angewiesen den korrekten Öffnungswinkel erreichen.
- Beißen Sie auf die Mundstücke, ohne den Hebel loszulassen.
- Lassen Sie den Hebel langsam los, so dass sich Ihr Mund gegen den von Hand ausgeübten Druck schließt. Ihr Arzt wird Sie anweisen, wie fest Sie beim Schließen zudrücken sollten.
- Machen Sie eine kurze Pause und wiederholen Sie die Übung.

Für Kraftübungen mit dem TheraBite ActiveBand siehe Bedienungsanleitung des TheraBite ActiveBand.

2.4 Verwendung des Übungsprotokolls

Messen Sie vor und nach jeder Übung die Öffnungsweite Ihres Mundes anhand der Messhilfe für die maximale Kieferöffnung. Mit dem Übungsprotokoll können Sie Ihren Fortschritt aufzeichnen und überwachen. Die Spalten im Protokoll sind für die folgenden Daten gedacht:

Abschnitt 1: Daily Exercise Log (Tägliches Übungsprotokoll)

A: Datum

B: Uhrzeit

C: Art des Übungsprogramms/Tag

D: Weite der Mundöffnung

1) Vorher; 2) Nach dem Übungsprogramm.

Abschnitt 2: Monthly Exercise Log (Monatliches Übungsprotokoll)

Der Tag des Monats wird auf der X-Achse angezeigt. Geben Sie die letzte Messung der Öffnungsweite des Tages aus dem täglichen Übungsprotokoll auf der Y-Achse ein.

2.5 Reinigung

Verwenden Sie Wasser und Spülmittel, um den TheraBite Kiefermobilisator und die Arretierscheibe zu reinigen. Gut abspülen, überschüssiges Wasser abschütteln und trocknen lassen. Untersuchen Sie nach der Reinigung die Bisspolster und tauschen Sie sie bei Bedarf aus.

HINWEIS: Die Mundstücke sind aus einem Material gefertigt, das dazu neigt, Feuchtigkeit aufzunehmen. Vergewissern Sie sich daher vor dem Austausch der Bisspolster und vor dem Gebrauch, dass die Mundstücke vollständig trocken sind.

Weichen Sie den TheraBite Kiefermobilisator nicht in Flüssigkeit ein und versuchen Sie nicht, ihn in der Spülmaschine zu waschen.

Werden die vorangehenden Anweisungen nicht eingehalten, kann dies zu einer Veränderung der Produkteigenschaften und zu einer Fehlfunktion führen.

2.6 Nutzungsdauer des Instruments

Je nach Handhabung und Gebrauch kann die Lebensdauer des Instruments variieren. Labortests mit einem simulierten täglichen Gebrauch über einen Testzeitraum von 12 Monaten zeigen, dass das Instrument seine strukturelle Integrität über diesen Zeitraum beibehält. Ein Gebrauch über diesen Zeitraum hinaus liegt im Ermessen des Benutzers.

2.7 Zusätzliche Instrumente

TheraBite ActiveBand: Ein elastisches Silikonband, das gemeinsam mit dem Kiefermobilisator verwendet wird, um die Kraft und Ausdauer der Kaumuskulatur zu erhöhen bzw. zu erhalten.

2.8 Entsorgung

Bei der Entsorgung eines benutzten Medizinprodukts sind stets die medizinischen Praktiken und nationalen Vorschriften hinsichtlich biologischer Gefährdung zu befolgen.

3. Informationen zur Problemlösung

Es entstehen Ablagerungen auf den Mundstücken

Mögliche Ursache: Ablagerungen können durch angesammelten Schmutz auf den Mundstücken nach längerem Gebrauch oder durch falsche Reinigungsmethoden entstehen.

Maßnahme: Schleifen Sie die Oberfläche der Mundstücke mit einer Schmirgel (Nagelfeile) leicht ab und spülen Sie die Rückstände vollständig ab. Lassen Sie die Mundstücke trocknen und bringen Sie neue Bisspolster an. Befolgen Sie die Anweisungen zur Reinigung.

Die Bisspolster haften nicht richtig an den Mundstücken

Mögliche Ursache: Die Bisspolster haften nicht richtig, wenn die Mundstücke feucht sind oder die Bisspolster nicht korrekt auf die Mundstücke gelegt wurden.

Maßnahme: Achten Sie stets darauf, dass die Mundstücke vollständig trocken sind und sich auf ihnen keine Ablagerungen befinden, ehe Sie die Bisspolster anbringen. Üben Sie genügend Druck aus, um für eine gute anfängliche Haftung an den Mundstücken zu sorgen. Lassen Sie den Klebstoff vor dem Gebrauch möglichst über Nacht wirken.

4. Zusätzliche Informationen

4.1 Anwenderunterstützung

Wenn Sie weitere Unterstützung oder Informationen wünschen: Kontaktinformationen siehe Rückseite dieser Bedienungsanleitung.

5. Meldung

Bitte beachten Sie, dass alle schwerwiegenden Vorfälle, die sich im Zusammenhang mit dem Produkt ereignet haben, dem Hersteller sowie den nationalen Behörden des Landes gemeldet werden müssen, in dem der Benutzer und/oder der Patient ansässig ist.

NEDERLANDS

Alvorens te beginnen met een revalidatie activiteit met gebruik van het TheraBite systeem moet elke gebruiker de voordelen van een programma onder medisch toezicht overwegen. Clinici kunnen oefeningen kiezen en combineren tot programma's die aansluiten op de capaciteiten en doelstellingen van elke gebruiker, inclusief regelmatige controle en herziening.

1. Beschrijving

1.1 Beoogd gebruik

Gebruik van het TheraBite® Jaw Motion Rehabilitation System (revalidatiesysteem voor kaakbeweging) is geïndiceerd voor personen die lijden aan dan wel risico lopen van het ontwikkelen van trismus (beperking van het vermogen om de kaak te openen), en/of pijn in de gewrichten en/of spieren van de kaak ondervinden. Het hulpmiddel kan ook worden gebruikt als een revalidatie instrument voor postoperatieve fysiotherapie van de kaak, of om de mond in een stabiele stand open te houden, bijvoorbeeld bij het doen van dysfagie oefeningen.

Het TheraBite systeem is uitsluitend bestemd voor gebruik bij één patiënt.

1.2 Contra-indicaties

De TheraBite is niet bestemd voor gebruik door:

- Personen die (mogelijk) een fractuur van de maxilla of mandibula (boven- of onderkaak) of andere zwakten van de kaakbeenderen hebben.
- Personen met infecties van de kaak, osteomyelitis (ontsteking van botweefsel en beenmerg) of osteoradionecrose (necrose van botweefsel ten gevolge van bestraling) van de kaak.

1.3 Beschrijving van het hulpmiddel

Het TheraBite Jaw Motion Rehabilitation System (revalidatiesysteem voor kaakbeweging) bestaat uit de volgende onderdelen:

- 1 st. Jaw Mobilizer (kaakmobilisator; afb. 1)
- 4 st. Bite Pads (bijkussentjes; afb. 2)
- 1 st. Hand-Aid (handhulpstuk; afb. 3)
- 30 st. Range of Motion Scales (bewegingsbereikschalen; afb. 4)
- 1 st. Carrying Bag (etui; afb. 5)
- 1 st. Gebruiksaanwijzing
- 1 st. Exercise Log (oefeningenlogboek)

De Jaw Mobilizer (kaakmobilisator; afb. 1) is een in de hand gehouden hulpmiddel met een verstelbaar bereik dat is ontworpen om gebruikers te helpen het bewegingsbereik en de sterkte van de kaak op anatomisch correcte wijze te verbeteren of in stand te houden. Door de gebruiker op de hendel uitgeoefende kracht levert openingskracht op voor passieve beweging of rekken, dan wel weerstand tegen sluiten voor versterking.

Het hulpmiddel bestaat uit de volgende onderdelen:

- a) Fine Adjustment Knob (fijnstelknop)
- b) Hendel
- c) Range Setting Arm (bereikinstelarm)
- d) Bovenste mondstuk
- e) Onderste mondstuk

LET OP: Probeer de mondstukken niet los te maken van het hulpmiddel; dit kan leiden tot een defect tijdens het gebruik.

De Bite Pads (bijtkussentjes; afb. 2) zijn zelfklevende kussentjes bestemd voor de bescherming van de tanden van de gebruiker. Ze zijn in drie uitvoeringen verkrijgbaar: Regular (gewoon), Edentulous (tandeloos; dikker kussentje dat op maat kan worden gesneden) en Pediatric (pediatrisch). Clinici kunnen op basis van hun onafhankelijk medisch inzicht meerdere Bite Pads (bijtkussentjes) op elkaar gebruiken of ze bijsnijden voor extra bescherming.

Het Hand-Aid (handhulpstuk; afb. 3) is een instrument ontworpen om de hendel ingedrukt te houden en de opening in stand te houden tijdens rekoefeningen.

De Range of Motion Scale (bewegingsbereiksschaal; afb. 4) dient om de vordering van het revalidatieprogramma bij te houden. Op de achterkant van de schaal is een gebied afgedrukt voor het registreren van uw vorderingen en er wordt bij het hulpmiddel een Exercise Log (oefeningenlogboek) geleverd om uw vorderingen bij te houden. De Range of Motion Scale (bewegingsbereiksschaal) is een wegwerpproduct en moet niet worden gereinigd.

1.4 Verwachtingen van het hulpmiddel

Passieve beweging en rekken met de TheraBite

- is werkzaam bij het beperken van trismus ten gevolge van bestraling en/of littekenvorming bij patiënten met kanker in hoofd en hals;
- is werkzaam bij de preventie van trismus bij patiënten die chemo- of radiotherapie ondergaan;
- kan bijdragen aan het verbeteren van de gewrichts- en kaakfunctie, het bewegingsbereik vergroten en pijn verminderen bij patiënten met temporomandibulaire aandoeningen;
- heeft een positief effect op de uitkomsten van operaties bij gebruik voor vroege mobilisatie bij patiënten die een operatie aan het temporomandibulaire gewricht hebben ondergaan.

De TheraBite kan ook de kaakspieren versterken wanneer handmatig of met de ActiveBand weerstand tegen het sluiten wordt geboden. Tijdens de oefening 'slikken met open mond' kan de TheraBite worden gebruikt om de mond open te houden in een stabiele stand.

OPMERKING: Potentiële gebruikers moeten vóór het gebruik hun clinicus raadplegen om te bepalen of de TheraBite geschikt is voor hun specifieke situatie.

1.5 WAARSCHUWINGEN

- **NIET** doorgaan met oefenen als u tijdens een oefening met de TheraBite op enig moment onverwachte pijn voelt. In dat geval moet u het gebruik van het hulpmiddel onmiddellijk staken en contact opnemen met uw clinicus.
- **ZEER VOORZICHTIG** oefenen als u verzwakte tanden hebt, een tandvleesaandoening, verzwakte kaakbeenderen of -gewrichten dan wel tandplaten, -kronen of -bruggen. Er kan letsel ontstaan als tijdens het gebruik van de TheraBite overmatige kracht wordt uitgeoefend.

1.6 VOORZORGSMAATREGELEN

- Steriliseer de TheraBite niet. Sterilisatieprocedures kunnen de TheraBite verzwakken en hij kan dan tijdens het gebruik breken.
- Hanteer de TheraBite altijd voorzichtig; hij kan tijdens het gebruik breken als hij is beschadigd ten gevolge van onvoorzichtige hantering.
- Oefen niet te veel kracht uit op de mondstukken. Ze zijn zo ontworpen dat ze bij een te grote krachtuitoefening tijdens het gebruik breken, teneinde kaakletsel te voorkomen.

2. Gebruiksaanwijzing

Vóór het eerste gebruik moet de voor de betreffende persoon geschikte maximale openingsafstand van de TheraBite worden bepaald door de clinicus.

2.1 Voorbereiding

Maximale openingsafstand van de Jaw Mobilizer (kaakmobilisator) instellen

Een maximale openingsafstand van ongeveer 25 tot 45 millimeter kan worden ingesteld met behulp van de Range Setting Arm (bereikinstelarm) of de Fine Adjustment Knob (fijnstelknop). De TheraBite kan worden gebruikt zonder deze instellingen af te stellen, mits de gebruiker in staat is om instructies voor het uitoefenen van de juiste druk te begrijpen en uit te voeren.

De Range Setting Arm (bereikinstelarm) afstellen (afb. 6-7)

- Houd het hulpmiddel op zijn zij.
- Verzet met een puntig voorwerp (zoals een pen) de pin die de Range Setting Arm (bereikinstelarm) verbindt met de hendel (afb. 7a en 7b).
- Zet de Range Setting Arm (bereikinstelarm) in de gewenste stand en breng de pin weer in. (Het bereik verandert met ongeveer 5 mm per interval.)

De schaal op de Jaw Mobilizer (kaakmobilisator) dient slechts ter referentie. Gebruik de Range of Motion Scale (bewegingsbereikschaal) voor een preciezere referentie.

2.2 Gebruiksaanwijzing

Controleer vóór elk gebruik of het hulpmiddel niet beschadigd is. Gebruik het hulpmiddel niet als het beschadigd is.

Breng de Bite Pads (bijtkussentjes) aan (afb. 8-9)

Zorg altijd dat de mondstukken volledig droog zijn voordat u de Bite Pads (bijtkussentjes) bevestigt.

- Trek de beschermlaag eraf (afb. 8).
- Bevestig één Bite Pad (bijtkussentje) op het bovenste mondstuk en één op het onderste mondstuk (afb. 9).
- Oefen druk uit met uw vingers om voor goede hechting aan de mondstukken te zorgen. Door langer uitoefenen van druk en warmte kleven de Bite Pads (bijtkussentjes) beter.

Om de hechting van de Bite Pads (bijtkussentjes) te verbeteren, brengt u de Bite Pads aan op de mondstukken voordat u naar bed gaat en laat u ze er de hele nacht op zitten. De hechtkracht van de Bite Pads (bijtkussentjes) wordt met verloop van tijd sterker, dus hoe langer vóór het gebruik u ze aanbrengt, hoe sterker ze zich zullen hechten.

Vervang de Bite Pads (bijtkussentjes) wanneer ze versleten raken. Extra Bite Pads (bijtkussentjes) kunnen apart worden besteld.

LET OP: Bite Pads (bijtkussentjes) of stukjes van de kussentjes die tijdens het gebruik losraken, kunnen de ademhaling belemmeren. Controleer altijd of de Bite Pads (bijtkussentjes) stevig aan de mondstukken zijn bevestigd.

De Fine Adjustment Knob (fijnstelknop) gebruiken (afb. 10)

Met de Fine Adjustment Knob (fijnstelknop) kan de door de Jaw Mobilizer (kaakmobilisator) veroorzaakte beweging worden vertraagd of stopgezet. Als de knop om de een of andere reden defect raakt, kan er apart een nieuwe worden besteld.

- Draai de knop volledig in (linksom) om de hendel stil te zetten in de hoogste stand (afb. 10a).
- Terwijl u zachtjes knijpt, draait u de knop naar buiten (rechtsom), zodat het onderste mondstuk langzaam omlaag kan komen (afb. 10b).
- De hendel kan op elk gewenst moment worden losgelaten zonder aan de Fine Adjustment Knob (fijnstelknop) te draaien.

De Hand-Aid (handhulpstuk) gebruiken (afb. 11)

- Houd de Jaw Mobilizer (kaakmobilisator) in uw linkerhand en draai de Fine Adjustment Knob (fijnstelknop) los zodat de hendel helemaal omlaag kan worden gedrukt.
- Neem de Hand-Aid (handhulpstuk) in uw rechterhand met de smalle uitsparing aan de bovenkant.
- Knijp de hendel omlaag en plaats de open zijde van het Hand-Aid (handhulpstuk) over het laagste gedeelte van de hendel (afb. 11a).
- Draai de Hand-Aid (handhulpstuk) een kwartslag rechtsom, zodat de uitsparing voor de hendel zich boven de hendel bevindt, en houd op met het inknippen van de hendel.
- Voor het gebruik schuift u de Hand-Aid (handhulpstuk) richting de mond (afb. 11b).

De maximale openingsafstand van de mond (maximale interincisale opening) meten (afb. 12)

- Open uw mond zo ver als mogelijk is zonder ongemak.
- Plaats de Range of Motion Scale (bewegingsbereiksschaal) zodanig dat de inkeping op de rand van een onderste voortand rust.
- Draai de Range of Motion Scale (bewegingsbereiksschaal) totdat deze een bovenste voortand raakt.
- Bepaal de meetwaarde op het raakpunt.

Bij gebruikers met kunstgebit kan de afstand tussen het bovenste en onderste kunstgebit worden gemeten, of als de gebruiker geen kunstgebit draagt, de afstand tussen de bovenste en de onderste processus alveolaris (het tandvlees).

Laterale beweging meten (afb. 13)

- Laat de Range of Motion Scale (bewegingsbereiksschaal) tegen de kin aan rusten met de boven- en ondertanden zachtjes op elkaar gedrukt.
- Laat de pijl naar de spleet tussen twee boventanden wijzen (afb. 13a).
- Beweeg de kaak voorzichtig naar rechts en naar links en lees de meetwaarde op de laterale schaal af tegenover de nieuwe positie van de spleet (afb. 13b en 13c).

2.3 Oefenprogramma's

Het wordt aanbevolen dat uw clinicus voor u geschikte oefeningen uitkiest en combineert, toezicht houdt en het oefenschema regelmatig herziet.

Een veel gebruikt oefenprogramma is 5-5-30: vijf maal per dag. Vijf keer rekken per keer. Elke keer rekken 30 seconden lang vasthouden. Als kort rekken voldoende wordt geacht, is een veel gebruikt oefenprogramma 7-7-7: zeven maal per dag. Zeven keer rekken per keer. Elke keer rekken 7 seconden lang vasthouden.

Rekken/passieve beweging

- Stel de Fine Adjustment Knob (fijnstelknop) zodanig af dat de hendel vrij kan bewegen. Laat de hendel helemaal omhoog komen.
- Houd de Jaw Mobilizer (kaakmobilisator) in de hand die voor u het prettigst is.
- Ontspan u en plaats de mondstukken tussen uw tanden. Uw voortanden moeten net de binnenrand van het bovenste mondstuk raken (afb. 14a).
- Knijp langzaam in de hendel om de mondstukken te openen. Bijt niet op de mondstukken (afb. 14b).
- Laat uw kaak meegaan met de beweging van de mondstukken. Pas op dat u de Jaw Mobilizer (kaakmobilisator) niet omhoog of omlaag kantelt tijdens het inknijpen van de hendel. Kanteling kan een verkeerde beweging van uw kaak veroorzaken.
- Houd de mondstukken zo lang open als u geïnstrueerd bent.
- Beëindig het inknijpen van de hendel zodat uw mond zich langzaam sluit (afb. 14c).

Als u het moeilijk vindt om de mondstukken open te houden, kunt u het Hand-Aid (handhulpstuk) gebruiken.

Versterken

- Breng de mondstukken in en knijp tot u de openingsstand bereikt zoals u geïnstrueerd bent.
- Bijt op de mondstukken zonder de hendel los te laten.
- Laat de hendel langzaam los en laat uw mond zich langzaam sluiten tegen de druk van uw hand in. Uw clinicus vertelt u hoe hard u moet knijpen tijdens het sluiten.
- Rust even uit en herhaal de oefening.

Raadpleeg de gebruiksaanwijzing van de TheraBite ActiveBand voor versterkingsoefeningen met gebruik van de TheraBite ActiveBand.

2.4 Gebruik van Exercise Log (oefeningenlogboek)

Meet vóór en na elke oefening de openingsafstand van uw mond met de Range of Motion Scale (bewegingsbereiksschaal). Het Exercise Log (oefeningenlogboek) dient voor het vastleggen en bijhouden van uw vorderingen. De kolommen in het logboek dienen voor de volgende gegevens:

Gedeelte 1: Daily Exercise Log (daglogboek voor oefeningen)

A: Datum

B: Tijd

C: Type oefenprogramma/dag

D: Openingsafstand kaak

1) vóór; 2) na het oefenprogramma.

Gedeelte 2: Monthly Exercise Log (maandlogboek voor oefeningen)

Op de X-as wordt de dag van de maand vermeld. Neem de laatste meting van de dag over uit het Daily Exercise Log (daglogboek voor oefeningen) en vul deze in op de Y-as.

2.5 Reiniging

Reinig de TheraBite Jaw Mobilizer (kaakmobilisator) en Hand-Aid (handhulpstuk) met water en afwasmiddel. Spoel goed af, schud de waterdruppels eraf en droog af. Na de reiniging onderzoekt u de Bite Pads (bijtkussentjes) en vervangt u ze indien nodig.

OPMERKING: De mondstukken zijn vervaardigd van een materiaal dat de neiging heeft om vocht vast te houden. Controleer daarom of de mondstukken volledig droog zijn voordat u de Bite Pads (bijtkussentjes) vervangt, en ook vóór het gebruik.

Laat de TheraBite Jaw Mobilizer (kaakmobilisator) niet weken en probeer hem niet te wassen in een vaatwasmachine.

Als u zich niet aan het bovenstaande houdt, kunnen de eigenschappen van het product veranderen met een defect als gevolg.

2.6 Levensduur van het hulpmiddel

De levensduur van het hulpmiddel is afhankelijk van de hantering en het gebruik. Uit laboratoriumproeven van gesimuleerd dagelijks gebruik gedurende een proefperiode van 12 maanden blijkt dat het hulpmiddel gedurende deze periode zijn structurele integriteit behoudt. Gebruik na deze periode is geheel de verantwoordelijkheid van de gebruiker.

2.7 Aanvullende hulpmiddelen

TheraBite ActiveBand: een elastische siliconen band die tezamen met de Jaw Mobilizer (kaakmobilisator) wordt gebruikt om de sterkte en het uithoudingsvermogen van de kauwspieren te vergroten en/of in stand te houden.

2.8 Afvoer

Volg bij het afvoeren van een gebruikt medisch hulpmiddel altijd de medische praktijk en nationale voorschriften met betrekking tot biologisch gevaar.

3. Informatie over het oplossen van problemen

Er ontstaat een afzetting op de mondstukken

Mogelijke oorzaak: De afzetting kan het gevolg zijn van vuil dat zich op de mondstukken ophoopt door langdurig gebruik of onjuiste reinigingsmethoden.

Wat u moet doen: Vrij het oppervlak van de mondstukken lichtjes met een kartonnen nagelvijltje en spoel de resten er volledig af. Droog de mondstukken af en breng nieuwe Bite Pads (bijtkussentjes) aan. Houd u aan de reinigingsinstructies.

Bite Pads (bijtkussentjes) kleven niet goed aan mondstukken

Mogelijke oorzaak: Bite Pads (bijtkussentjes) kunnen niet goed kleven als de mondstukken vocht bevatten of als de Bite Pads niet op de juiste wijze op de mondstukken zijn aangebracht.

Wat u moet doen: Zorg altijd dat de mondstukken volledig droog en vrij van afzettingen zijn voordat u de Bite Pads (bijtkussentjes) aanbrengt. Oefen voldoende druk uit om voor een goede aanvankelijke hechting aan de mondstukken te zorgen. Laat het kleefmiddel zo mogelijk een nacht rusten voor een goede hechting.

4. Aanvullende informatie

4.1 Hulp voor de gebruiker

Zie het achterblad van deze gebruiksaanwijzing voor de contactgegevens voor aanvullende hulp of informatie.

5. Meldingen

Let op: elk ernstig incident dat zich in verband met het hulpmiddel heeft voorgedaan, moet worden gemeld aan de fabrikant en de nationale autoriteit van het land waar de gebruiker en/of de patiënt woont.

Avant d'entamer toute activité de réhabilitation impliquant le système TheraBite, chaque utilisateur devrait prendre en considération les avantages des programmes supervisés médicalement. Les praticiens peuvent sélectionner et combiner des exercices pour créer des programmes adaptés aux capacités et aux objectifs de chaque utilisateur, et incluant une révision et un suivi réguliers.

1. Description générale

1.1 Utilisation prévue

Le système TheraBite® Jaw Motion Rehabilitation System (système de rééducation par mobilisation mandibulaire) est indiqué pour les personnes qui ont, ou risquent de développer, un trismus (restrictions de la capacité à ouvrir la mâchoire), et/ou qui ressentent une douleur articulaire et/ou musculaire au niveau de la mâchoire. Le dispositif peut également être utilisé comme outil de rééducation pour la kinésithérapie post-opératoire de la mâchoire, ou pour maintenir la bouche ouverte en position stable, par exemple pendant des exercices de dysphagie.

Le système TheraBite ActiveBand doit être utilisé par un seul patient.

1.2 Contre-indications

Le système TheraBite n'est pas destiné à être utilisé par :

- Des personnes qui ont ou risquent d'avoir une fracture de la mâchoire supérieure ou inférieure (mandibule) ou qui présentent d'autres faiblesses des os de la mâchoire.
- Des personnes souffrant d'infections de la mâchoire, d'ostéomyélite (inflammation de l'os et de la moelle osseuse) ou d'ostéoradionécrose (nécrose de l'os dû aux rayons) de la mâchoire.

1.3 Description du dispositif

Le système TheraBite Jaw Motion Rehabilitation System (système de rééducation par mobilisation mandibulaire) se compose des pièces suivantes :

- 1 Jaw Mobilizer (mobilisateur mandibulaire) (Fig. 1)
- 4 Bite Pads (tampons occlusaux) (Fig. 2)
- 1 Hand-Aid (support manuel) (Fig. 3)
- 30 Range of Motion Scales (mesureurs de champ de mouvement) (Fig. 4)
- 1 Carrying bag (sac de rangement) (Fig. 5)
- 1 Mode d'emploi
- 1 Exercise Log (journal de progrès du patient)

Le Jaw Mobilizer (mobilisateur mandibulaire) (Fig. 1) est un dispositif à main doté d'une plage de réglage conçue pour aider les utilisateur à améliorer et entretenir l'amplitude de mouvement et la force de la mâchoire de manière anatomiquement correcte. La pression appliquée par l'utilisateur sur le levier fournit une force d'ouverture pour la mobilisation passive, ou un étirement ou une résistance à la fermeture pour le renforcement.

Le dispositif se compose des pièces suivantes :

- a) Molette de réglage fin
- b) Levier
- c) Bras de réglage de l'amplitude
- d) Écarteur maxillaire supérieur
- e) Écarteur maxillaire inférieur

ATTENTION : Ne pas tenter de démonter les écarteurs maxillaires du dispositif ; cela risquerait d'empêcher son utilisation.

Les Bite Pads (tampons occlusaux) (Fig. 2) sont des tampons auto-adhésifs destinés à protéger les dents de l'utilisateur. Ils sont disponibles en trois versions : Regular (standard), Edentulous (pour édentés : sans dents, matelassage plus épais pour un ajustement personnalisé) et Pediatric (pédiatrique). Les praticiens peuvent, en s'appuyant sur leur jugement médical indépendant, empiler ou couper les Bite Pads (tampons occlusaux) pour améliorer la protection.

Le Hand-Aid (support manuel) (Fig. 3) est un outil conçu pour bloquer le levier en position basse et maintenir l'ouverture pendant les exercices d'étirement.

Le Range of Motion Scale (mesureur de champ de mouvement) (Fig. 4) est utilisé pour contrôler le progrès du programme de réhabilitation. Une zone permettant d'enregistrer votre progrès est imprimée sur le verso de l'échelle, et un Exercise Log (journal de progrès) est fourni avec votre dispositif pour suivre votre progrès. Le Range of Motion Scale (mesureur de champ de mouvement) est un produit à usage unique et ne doit pas être nettoyé.

1.4 Objectifs du dispositif

La mobilisation et l'étirement passifs avec le système TheraBite

- est efficace dans la réduction du trismus résultant de rayons et/ou de la cicatrisation chez les patients atteints d'un cancer de la sphère tête et cou.
- est efficace dans la prévention du trismus chez les patients sous radiothérapie ou chimiothérapie.
- peut contribuer à améliorer la fonction des articulations et de la mâchoire, à améliorer l'amplitude du mouvement, et à réduire la douleur des patients souffrant de troubles de l'articulation temporomandibulaire.

- a un effet positif sur le résultat de l'intervention chirurgicale lorsqu'il est utilisé pour une mobilisation précoce après chirurgie de l'articulation temporo-mandibulaire.

Le système TheraBite peut également renforcer les muscles de la mâchoire lorsqu'une résistance à la fermeture est fournie manuellement ou avec le système ActiveBand. Pendant l'exercice « de déglutition bouche ouverte », le système TheraBite peut être utilisé pour maintenir la bouche ouverte en position stable.

REMARQUE : Les utilisateurs potentiels doivent consulter leur praticien avant d'utiliser le système TheraBite pour déterminer si celui-ci est approprié pour leur pathologie particulière.

1.5 AVERTISSEMENTS

- **NE PAS** continuer les exercices si vous ressentez une douleur inattendue à tout moment au cours des exercices avec le système TheraBite. Vous devez immédiatement arrêter d'utiliser le dispositif et contacter votre praticien.
- **S'EXERCER** avec prudence si vous avez des dents affaiblies, une maladie gingivale, des os ou des articulations de la mâchoire affaiblies, une prothèse dentaire, des couronnes ou des bridges. Une force excessive exercée pendant l'utilisation du système TheraBite peut entraîner des blessures.

1.6 PRÉCAUTIONS

- Ne pas stériliser le système TheraBite. Les processus de stérilisation peuvent affaiblir le système TheraBite, qui risque ensuite de se casser.
- Toujours manipuler le système TheraBite avec soin ; il peut se casser en cours d'utilisation suite à une manipulation brusque.
- Ne pas exercer de force excessive sur les écarteurs maxillaires. Ils sont conçus pour se casser si une force excessive est appliquée en cours d'utilisation pour éviter toute blessure de la mâchoire.

2. Mode d'emploi

Avant la première utilisation, l'ouverture maximale du système TheraBite appropriée pour chaque utilisateur particulier doit être déterminée par le praticien.

2.1 Préparation

Paramétrage de l'ouverture maximale du Jaw Mobilizer (mobilisateur mandibulaire)

Des ouvertures maximales d'environ 25 à 45 millimètres peuvent être paramétrées par la position du bras de réglage de l'amplitude ou par la position de la molette de réglage fin. Le système TheraBite peut être utilisé sans régler ces paramètres, en fonction de la capacité de l'utilisateur à comprendre et à mettre en œuvre les instructions concernant l'application de la pression appropriée.

Ajustement du bras de réglage de l'amplitude (Fig. 6-7)

- Tenir le dispositif sur le côté.
- Utiliser un objet pointu (tel qu'un crayon) pour déplacer la broche qui raccorde le bras de réglage de l'amplitude au levier (Fig. 7a et 7b).
- Aligner le bras de réglage de l'amplitude dans la position souhaitée et replacer la broche. (La modification du champ est d'environ 5 mm par intervalle.)

L'échelle du Jaw Mobilizer (mobilisateur mandibulaire) sert uniquement de référence. Utiliser le Range of Motion Scale (mesureur de champ de mouvement) pour obtenir une référence plus exacte.

2.2 Consignes d'utilisation

Avant chaque utilisation, vérifier que le dispositif n'est pas endommagé. Ne pas utiliser le dispositif s'il est endommagé.

Installer les Bite Pads (tampons occlusaux) (Fig. 8-9)

Toujours s'assurer que les écarteurs maxillaires sont complètement secs avant de fixer les Bite Pads (tampons occlusaux).

- Retirer la protection (Fig. 8).
- Fixer un Bite Pad (tampon occlusal) à l'écarteur maxillaire supérieur et un autre à l'écarteur maxillaire inférieur (Fig. 9).
- Exercer une pression avec vos doigts pour assurer une adhérence correcte aux écarteurs maxillaires. Les Bite Pads (tampons occlusaux) collent mieux après une période prolongée de pression et de chaleur.

Pour renforcer l'adhérence des Bite Pads (tampons occlusaux), fixer les Bite Pads sur les écarteurs maxillaires avant d'aller vous coucher et les laisser en place toute la nuit. L'adhésion aux Bite Pads (tampons occlusaux) augmente avec le temps : plus ils sont fixés longtemps avant l'utilisation, plus ils tendront à adhérer solidement.

Remplacer les Bite Pads (tampons occlusaux) lorsqu'ils sont usés. Des Bite Pads (tampons occlusaux) de rechange peuvent être commandés séparément.

ATTENTION : Les Bite Pads (tampons occlusaux) ou des parties des Bite Pads qui se détachent en cours d'utilisation risquent d'obstruer les voies respiratoires. Toujours s'assurer que les Bite Pads (tampons occlusaux) sont correctement fixés aux écarteurs maxillaires.

Utiliser la molette de réglage fin (Fig. 10)

La molette de réglage fin peut être utilisée pour ralentir ou arrêter le mouvement créé par le Jaw Mobilizer (mobilisateur mandibulaire). Si la molette se casse, quelle qu'en soit la raison, une nouvelle molette peut être commandée séparément.

- Tourner la molette complètement dans le sens inverse des aiguilles d'une montre pour immobiliser le levier en position la plus haute (Fig. 10a).
- Tout en serrant doucement le levier, tourner la molette dans

le sens inverse des aiguilles d'une montre pour permettre à l'écarteur maxillaire inférieur de se déplacer lentement vers le bas (Fig. 10b).

- Le levier peut être libéré à tout moment sans tourner la molette de réglage.

Utiliser le Hand-Aid (support manuel) (Fig. 11)

- Tenir le Jaw Mobilizer (mobilisateur mandibulaire) de la main gauche, et desserrer la molette de réglage fin de telle sorte que le levier puisse être serré jusqu'en bas.
- Prendre le support manuel dans la main droite, rainure étroite vers le haut.
- Serrer le levier vers le bas, et placer le côté ouvert du support manuel sur la partie inférieure du levier (Fig. 11a).
- Faire pivoter le support manuel d'un quart de tour dans le sens des aiguilles d'une montre, de telle sorte que la rainure de la poignée se trouve sur la poignée, et desserrer votre prise.
- Pour utiliser le dispositif, faire coulisser le support manuel vers la bouche (Fig. 11b).

Pour mesurer l'ouverture buccale maximale (ouverture interincisive maximale) (Fig. 12)

- Ouvrir la bouche aussi grand que possible sans ressentir de gêne.
- Placer la Range of Motion Scale (mesureur de champ de mouvement) de telle sorte que l'encoche repose sur le bord d'une dent située à l'avant de la mâchoire inférieure.
- Faire pivoter le mesureur de champ de mouvement jusqu'à ce qu'il entre en contact avec une dent située à l'avant de la mâchoire supérieure.
- Prendre la mesure au point de contact.

Chez les utilisateurs édentés, la distance peut être mesurée entre la prothèse dentaire supérieure et la prothèse dentaire inférieure, ou, si l'utilisation ne porte pas de prothèses, entre les crêtes alvéolaires supérieures et inférieures (gencives).

Pour mesurer le mouvement latéral (Fig. 13)

- Appuyer le Range of Motion Scale contre le menton, mâchoire fermée, de telle sorte que les dents supérieures et inférieures se touchent.
- Aligner la flèche avec un espace situé entre deux dents supérieures (Fig. 13a).
- Déplacer doucement la mâchoire dans le sens latéral et lire la mesure sur l'échelle latérale en face du nouveau positionnement de l'espace (Fig. 13b et 13c).

2.3 Programmes d'exercice

Votre praticien doit sélectionner et combiner les exercices adaptés à votre cas, y compris la révision et le contrôle réguliers.

Le programme d'exercice de type 5-5-30 est communément utilisé : Cinq fois par jour. Cinq étirements à chaque fois. Chacun d'une durée de 30 secondes. Lorsque des étirements courts sont considérés comme suffisants, le programme d'exercices 7-7-7

est communément utilisé : Sept fois par jour. Sept étirements à chaque fois. Chacun d'une durée de sept secondes.

Mouvement d'étirement/mobilisation passive

- Régler la molette de réglage fin de telle sorte que le levier bouge librement. Laisser le levier remonter jusqu'en haut.
- Tenir le Jaw Mobilizer (mobilisateur mandibulaire) dans la main avec laquelle vous êtes le plus à l'aise.
- Se relaxer et placer les écarteurs maxillaires entre les dents. Vos dents avant doivent simplement toucher le rebord interne de l'écarteur maxillaire supérieur (Fig. 14a).
- Serrer lentement le levier pour ouvrir les écarteurs maxillaires. Ne pas mordre dans les écarteurs maxillaires (Fig. 14b).
- Laisser votre mâchoire suivre le mouvement des écarteurs maxillaires. Prendre garde à ne pas incliner le Jaw Mobilizer (mobilisateur mandibulaire) vers le haut ou vers le bas lorsque vous serrer le levier. Toute inclinaison risque d'entraîner un mouvement incorrect de votre mâchoire.
- Garder la bouche ouverte aussi longtemps qu'indiqué.
- Desserrer la prise, et laisser votre bouche se fermer lentement (Fig. 14c).

S'il vous est difficile de garder les écarteurs maxillaires ouverts, vous pouvez utiliser le Hand-Aid (support manuel).

Renforcement

- Insérer les écarteurs maxillaires et serrer jusqu'à atteindre l'ouverture indiquée.
- Mordre dans les écarteurs maxillaires sans relâcher le levier.
- Relâcher lentement le levier et fermer la bouche contre la pression manuelle. Votre praticien vous indiquera quelle force de serrage exercer pendant que vous fermez la bouche.
- Se reposer brièvement, puis répéter l'exercice.

Pour les exercices de renforcement utilisant le système TheraBite ActiveBand, voir le mode d'emploi du système TheraBite ActiveBand.

2.4 Utilisation du Exercise Log (journal de progrès du patient)

Utiliser le Range of Motion Scale (mesureur de champ de mouvement) pour mesurer l'ouverture buccale avant et après chaque exercice. Le Exercise Log (journal de progrès du patient) est utilisé pour enregistrer et contrôler votre progrès. Les colonnes du journal doivent contenir les données suivantes :

Section 1 : Daily Exercise Log (journal quotidien de progrès du patient)

A : Date

B : Heures

C : Type de programme d'exercice/jour

D : Mesure de l'ouverture mandibulaire

1) Avant ; 2) Après le programme d'exercices.

Section 2 : Monthly Exercise Log (journal mensuel de progrès du patient)

L'axe des X représente le jour du mois. Utiliser la dernière mesure du jour notée dans le Daily Exercise Log (journal quotidien de progrès du patient) et l'indiquer sur l'axe des Y.

2.5 Nettoyage

Utiliser de l'eau et du liquide vaisselle pour nettoyer les systèmes TheraBite Jaw Mobilizer (mobilisateur mandibulaire) et Hand-Aid (support manuel). Les rincer soigneusement, les égoutter et les laisser sécher. Après nettoyage, examiner les Bite Pads (tampons occlusaux) et les remplacer si nécessaire.

REMARQUE : Les écarteurs maxillaires sont fabriqués dans un matériau qui a tendance à retenir l'humidité. S'assurer que les écarteurs maxillaires sont complètement secs avant de remplacer les Bite Pads (tampons occlusaux) et avant chaque utilisation.

Ne pas immerger le système TheraBite Jaw Mobilizer (mobilisateur mandibulaire) dans du liquide ni tenter de le laver dans un lave-vaisselle.

Le non-respect des instructions ci-dessus peut modifier les propriétés des produits et entraîner un dysfonctionnement.

2.6 Durée de vie du dispositif

La durée de vie du dispositif dépend de la manière dont il est manipulé et de son usage. Les simulations en laboratoire d'un usage quotidien pendant une période test de 12 mois montrent que le dispositif conservera son intégrité structurelle pendant cette période. L'usage au-delà de ce délai est à la seule appréciation de l'utilisateur.

2.7 Dispositifs supplémentaires

Système TheraBite Activeband : un ruban en silicone élastique utilisé avec le Jaw Mobilizer (mobilisateur mandibulaire) pour augmenter et/ou entretenir la force et l'endurance des muscles masticateurs.

2.8 Élimination

Toujours respecter la pratique médicale et les directives nationales concernant les risques biologiques lorsque vous mettez au rebut un dispositif médical usagé.

3. Informations de dépannage

Un résidu s'accumule sur les écarteurs maxillaires

Cause possible : Ce résidu peut être de la poussière accumulée sur les écarteurs mandibulaires après de longues périodes d'utilisation ou des méthodes de nettoyages incorrectes.

Que faire : Utiliser une lime émeri (lime à ongles) pour limer légèrement la surface des écarteurs maxillaires, puis rincer complètement le résidu. Faire sécher les écarteurs maxillaires, puis appliquer de nouveaux Bite Pads (tampons occlusaux). Suivre les instructions de nettoyage.

Les Bite Pads (tampons occlusaux) n'adhèrent pas correctement aux écarteurs maxillaires

Cause possible : Les Bite Pads (tampons occlusaux) peuvent ne pas adhérer correctement si les écarteurs maxillaires sont humides ou si les Bite Pads (tampons occlusaux) n'ont pas été correctement placés sur les écarteurs maxillaires.

Que faire : Toujours s'assurer que les écarteurs maxillaires sont complètement secs et exempts de tout résidu avant d'appliquer les Bite Pads (tampons occlusaux). Appliquer une pression suffisante pour assurer une bonne adhérence initiale aux écarteurs maxillaires. Laisser l'adhésif se fixer toute une nuit, si possible, avant utilisation.

4. Informations supplémentaires

4.1 Informations d'aide à l'utilisateur

Pour une aide ou des informations supplémentaires, voir la quatrième de couverture de ce mode d'emploi.

5. Signalement

Noter que tout incident grave survenu en relation avec le dispositif doit être signalé au fabricant et à l'autorité nationale du pays dans lequel l'utilisateur et/ou le patient réside.

ITALIANO

Prima di iniziare qualsiasi attività di riabilitazione che comporti l'uso del sistema TheraBite ciascun utilizzatore deve prendere in considerazione i benefici dei programmi svolti sotto la direzione di un medico. I medici potrebbero selezionare e combinare gli esercizi al fine di creare programmi appropriati alle abilità e agli obiettivi di ciascun utilizzatore, inclusi il monitoraggio e il riesame regolari.

1. Informazioni descrittive

1.1 Finalità d'uso

Il TheraBite® Jaw Motion Rehabilitation System (sistema di riabilitazione del movimento mandibolare) è indicato per i pazienti affetti da trisma (difficoltà o impossibilità ad aprire la bocca) o a rischio di trisma, e/o che avvertono dolore a livello delle articolazioni e/o dei muscoli della mandibola. Il dispositivo può essere usato anche come strumento di riabilitazione per la fisioterapia post-operatoria della mandibola o per mantenere aperta la bocca in posizione stabile, ad esempio mentre si eseguono gli esercizi per la disfagia.

Il sistema TheraBite è previsto esclusivamente per l'uso monopaziente.

1.2 Controindicazioni

Il sistema TheraBite non è previsto per l'uso da parte dei seguenti pazienti:

- individui con frattura accertata o sospetta della mascella o della mandibola o altre debolezze delle ossa della mandibola;
- individui con infezioni della mandibola, osteomielite (infiammazione dell'osso e del midollo osseo) o osteoradionecrosi (necrosi dell'osso causata da radiazione) della mandibola.

1.3 Descrizione del dispositivo

Il TheraBite Jaw Motion Rehabilitation System (sistema di riabilitazione del movimento mandibolare) include i seguenti componenti:

- 1 pezzo Jaw Mobilizer (mobilizzatore mandibolare) (Figura 1)
- 4 pezzi Bite Pads (cuscinetti antimorso) (Figura 2)
- 1 pezzo Hand-Aid (supporto per la mano) (Figura 3)
- 30 pezzi Range of Motion Scales (scale dell'arco di movimento) (Figura 4)
- 1 pezzo Carrying Bag (borsa di trasporto) (Figura 5)
- 1 pezzo Istruzioni per l'uso
- 1 pezzo Exercise Log (registro degli esercizi)

Il Jaw Mobilizer (mobilizzatore mandibolare) (Figura 1) è un dispositivo palmare con un range regolabile, progettato per aiutare i pazienti ad ampliare o mantenere l'arco di movimento e a rafforzare o mantenere forte la mandibola in un modo anatomicamente corretto. La pressione applicata dall'utilizzatore sulla leva determina la forza di apertura per il movimento passivo oppure stretching o resistenza alla chiusura per il rafforzamento dei muscoli.

Il dispositivo comprende i seguenti componenti:

- a) Fine Adjustment Knob (pomello di regolazione fine)
- b) Leva
- c) Range Setting Arm (braccio di impostazione dell'arco di movimento)
- d) Appoggia-denti superiore
- e) Appoggia-denti inferiore

ATTENZIONE - Non tentare di staccare gli appoggia-denti dal dispositivo, poiché così facendo si potrebbe causare un guasto durante l'uso.

I Bite Pads (cuscinetti antimorso) (Figura 2) sono cuscinetti autoadesivi previsti per proteggere i denti dell'utilizzatore. Sono forniti in tre versioni: Regular (regolari), Edentulous (edentuli) (cuscinetti più spessi che possono essere rifilati secondo le esigenze) e Pediatric (pediatrici). Il medico può, basandosi sul suo giudizio professionale, impilare o rifilare i Bite Pads per fornire al paziente un'ulteriore protezione.

L'Hand-Aid (supporto per la mano) (Figura 3) è un utensile progettato per mantenere abbassata la leva e mantenere l'apertura durante gli esercizi di stretching.

La Range of Motion Scale (scala dell'arco di movimento) (Figura 4) serve per monitorare i progressi fatti con il programma di riabilitazione. Sul lato posteriore della scala c'è uno spazio dove registrare i progressi fatti; il dispositivo viene fornito con un Exercise Log (registro degli esercizi) in cui annotare i propri progressi. La Range of Motion Scale (scala dell'arco di movimento) è un prodotto monouso e pertanto non dev'essere pulita.

1.4 Aspettative nei riguardi del dispositivo

Movimento passivo e stretching con il TheraBite

- Efficace nell'alleviare il trisma causato dalle radiazioni e/o dalla formazione di tessuto cicatriziale nei pazienti con tumore della testa e del collo.
- Efficace nella prevenzione del trisma nei pazienti sottoposti a chemioterapia o radioterapia.
- Può aiutare a migliorare la funzionalità articolare e mandibolare, migliorare l'arco di movimento e alleviare il dolore nei pazienti con disturbi temporo-mandibolari.
- Ha un effetto positivo sull'esito dell'intervento chirurgico quando viene usato per la mobilizzazione precoce in pazienti sottoposti a intervento a carico dell'articolazione temporo-mandibolare.

Il TheraBite può anche rafforzare i muscoli mandibolari quando la resistenza alla chiusura viene applicata a mano o con l'ActiveBand. Durante l'esercizio chiamato "Deglutizione a bocca aperta" il TheraBite può essere usato per tenere aperta la bocca in posizione stabile.

NOTA - Gli utilizzatori potenziali devono consultare il medico prima di usare il TheraBite per determinare se questo dispositivo è idoneo alla loro situazione personale.

1.5 AVVERTENZE

- **NON** continuare gli esercizi se in qualsiasi momento durante l'uso di TheraBite si avverte dolore inatteso. Interrompere immediatamente l'uso del dispositivo e rivolgersi al medico.
- **PROCEDERE** con la massima cautela se si hanno denti deboli, gengivite, ossa o articolazioni mandibolari indebolite, placche dentali, corone o ponti. Esiste il rischio di lesioni se durante l'uso del TheraBite si applica forza eccessiva.

1.6 PRECAUZIONI

- Non sterilizzare il TheraBite. I processi di sterilizzazione possono indebolire il TheraBite che potrebbe rompersi durante l'uso.
- Maneggiare sempre con cura il TheraBite; potrebbe rompersi durante l'uso se viene danneggiato da una manipolazione non attenta.
- Non applicare forza eccessiva agli appoggia-denti; essi sono stati progettati per non provocare lesioni alla mandibola, per cui si rompono se viene applicata troppa forza durante il loro uso.

2. Istruzioni per l'uso

Prima di usare il dispositivo per la prima volta, il medico deve determinare l'apertura massima del TheraBite idonea a ogni singolo paziente.

2.1 Preparazione

Impostazione dell'apertura massima del Jaw Mobilizer (mobilizzatore mandibolare)

Le aperture massime (pari a circa 25-45 millimetri) possono essere impostate posizionando il Range Setting Arm (braccio di impostazione dell'arco di movimento) o il Fine Adjustment Knob (pomello di regolazione fine). Il TheraBite può essere usato senza regolare queste impostazioni, a seconda della capacità dell'utilizzatore di capire e mettere in atto le istruzioni per l'applicazione della pressione appropriata.

Regolazione del Range Setting Arm (braccio di impostazione dell'arco di movimento) (Figure 6-7)

- Coricare su un lato il dispositivo.
- Con un oggetto appuntito (es. una penna) spostare il perno che collega il Range Setting Arm (braccio di impostazione dell'arco di movimento) alla leva (Figure 7a e 7b).
- Allineare nella posizione desiderata il braccio di impostazione dell'arco di movimento e rimettere a posto il perno. (La variazione dell'arco di movimento è di circa 5 mm per intervallo.)

La scala posta sul Jaw Mobilizer (mobilizzatore mandibolare) ha soltanto fini di riferimento. Per una misurazione più accurata, usare la Range of Motion Scale (scala dell'arco di movimento).

2.2 Istruzioni procedurali

Prima di ogni uso controllare che il dispositivo sia integro. Non usarlo se è danneggiato.

Installare i Bite Pads (cuscinetti antimorso) (Figure 8-9)

Assicurarsi sempre che gli appoggia-denti siano completamente asciutti prima di fissare i Bite Pads (cuscinetti antimorso).

- Staccare il rivestimento posteriore (Figura 8).
- Fissare un Bite Pad (cuscinetto antimorso) all'appoggia-denti superiore e uno all'appoggia-denti inferiore (Figura 9).
- Applicare pressione con le dita per garantire un'adesione corretta agli appoggia-denti. La pressione e il calore prolungati faranno aderire meglio i Bite Pads (cuscinetti antimorso).

Per migliorare il grado di adesione dei Bite Pads (cuscinetti antimorso), fissarli agli appoggia-denti prima di coricarsi la sera e lasciarli installati per tutta la notte. Il legame adesivo sui Bite Pads (cuscinetti antimorso) aumenta con il tempo: quanto prima dell'uso vengono installati sui boccagli, tanto più tendono ad aderire.

Sostituire i Bite Pads (cuscinetti antimorso) quando si logorano. Nuovi Bite Pads (cuscinetti antimorso) possono essere ordinati separatamente.

ATTENZIONE - Se i Bite Pads (cuscinetti antimorso) – o parti di essi – dovessero allentarsi durante l'uso, potrebbero impedire la respirazione. Accertarsi sempre che i Bite Pads (cuscinetti antimorso) siano installati saldamente sui boccagli.

Uso del Fine Adjustment Knob (pomello di regolazione fine) (Figura 10)

Il Fine Adjustment Knob (pomello di regolazione fine) può essere usato per rallentare o interrompere il movimento creato dal Jaw Mobilizer (mobilizzatore mandibolare). Se il pomello dovesse rompersi per qualsiasi motivo, è possibile ordinarne uno nuovo a parte.

- Ruotare il pomello fino in fondo (in senso antiorario) per bloccare la leva nella posizione più alta (Figura 10a).
- Premendo delicatamente la leva, ruotare il pomello verso l'esterno (in senso orario) per consentire al boccaglio inferiore di abbassarsi lentamente (Figura 10b).
- La leva può essere rilasciata in qualsiasi momento senza ruotare il Fine Adjustment Knob (pomello di regolazione fine).

Uso dell'Hand-Aid (supporto per la mano) (Figura 11)

- Tenere il Jaw Mobilizer (mobilizzatore mandibolare) nella mano sinistra e allentare il Fine Adjustment Knob (pomello di regolazione fine) per riuscire a premere la leva fino in fondo.
- Con la mano destra afferrare l'Hand-Aid (supporto per mano), con la scanalatura sottile rivolta verso l'alto.
- Stringere la leva e posizionare il lato aperto dell'Hand-Aid (supporto per la mano) sulla parte più bassa della leva (Figura 11a).
- Ruotare l'Hand-Aid (supporto per la mano) di un quarto di giro in senso orario, in modo da portare la scanalatura dell'impugnatura sopra l'impugnatura stessa, quindi rilasciare la leva.
- Per utilizzare il dispositivo, far scorrere l'Hand-Aid (supporto per la mano) verso la bocca (Figura 11b).

Misurazione della massima apertura della bocca (massima apertura interincisale) (Figura 12)

- Aprire la bocca quanto più possibile senza avvertire disagio.
- Posizionare la Range of Motion Scale (scala dell'arco di movimento) in modo che la tacca si appoggi sul margine di uno dei denti incisivi inferiori.
- Ruotare la Range of Motion Scale (scala dell'arco di movimento) fino ad appoggiarla contro uno dei denti incisivi superiori
- Annotare la misura al punto di contatto.

Negli utilizzatori edentuli, la distanza può essere misurata tra la protesi dentaria superiore e quella inferiore, oppure, se il paziente non usa protesi dentarie, tra i margini alveolari (gingive) superiore e inferiore.

Misurazione del movimento laterale (Figura 13)

- Appoggiare la Range of Motion Scale (scala dell'arco di movimento) contro il mento con i denti superiori e inferiori leggermente a contatto.
- Allineare la freccia con uno degli spazi tra due denti superiori (Figura 13a).
- Muovere delicatamente la mandibola da lato a lato e leggere la misura indicata sulla scala laterale dall'altro lato della nuova posizione dello spazio (Figure 13b e 13c).

2.3 Programma di esercizi

È consigliabile che il medico selezioni e combini gli esercizi appropriati per il paziente e che conduca monitoraggio e riesame regolari.

Uno dei programmi usati con maggiore frequenza è il 5-5-30: cinque volte al giorno, cinque esercizi di stretching alla volta, ciascun esercizio di stretching mantenuto per 30 secondi. Quando il medico ritiene che gli esercizi corti di stretching siano sufficienti, uno dei programmi di esercizi più diffuso è il 7-7-7: sette volte al giorno, sette esercizi di stretching alla volta, ciascun esercizio di stretching mantenuto per sette secondi.

Stretching/movimento passivo

- Aggiustare il Fine Adjustment Knob (pomello di regolazione fine) in modo che la leva si muova senza impedimenti. Lasciare che la leva si alzi completamente.
- Tenere il Jaw Mobilizer (mobilizzatore mandibolare) nella mano più comoda.
- Rilassarsi e collocare gli appoggia-denti tra i denti. I denti incisivi devono toccare appena il margine interno dell'appoggia-denti superiore (Figura 14a).
- Premere sulla leva per aprire gli appoggia-denti. Non mordere gli appoggia-denti (Figura 14b).
- Lasciare che la mandibola segua il movimento degli appoggia-denti. Fare attenzione a non inclinare in su o giù il Jaw Mobilizer (mobilizzatore mandibolare) quando si preme sulla leva, poiché inclinandolo la mandibola potrebbe muoversi in modo non corretto.
- Tenere aperta la bocca per il tempo prescritto.
- Rilasciare la pressione sulla leva, consentendo alla bocca di chiudersi lentamente (Figura 14c).

Se risulta difficile tenere aperti gli appoggia-denti, si può utilizzare l'Hand-Aid (supporto per la mano).

Rafforzamento

- Introdurre gli appoggia-denti e premere fino a raggiungere il grado di apertura prescritto.
- Mordere gli appoggia-denti senza rilasciare la leva.
- Rilasciare lentamente la leva, consentendo alla bocca di chiudersi nonostante la pressione esercitata dalla mano. Il medico fornirà istruzioni su quanto premere mentre si chiude la bocca.
- Riposarsi per qualche istante, quindi ripetere.

Per gli esercizi di rafforzamento con TheraBite ActiveBand, vedere le istruzioni per l'uso di TheraBite ActiveBand.

2.4 Uso dell'Exercise Log (registro degli esercizi)

Utilizzare la Range of Motion Scale (scala dell'arco di movimento) per misurare il grado di apertura della bocca prima e dopo ciascun esercizio. Usare l'Exercise Log (registro degli esercizi) per documentare e monitorare i progressi fatti. Le colonne nel registro servono a riportare i dati seguenti:

Sezione 1: Daily Exercise Log (registro giornaliero degli esercizi)

A: Data

B: Ora

C: Tipo di programma di esercizi/giorno

D: Misurazione del grado di apertura della mandibola

1) Prima; 2) Dopo il programma di esercizi.

Sezione 2: Monthly Exercise Log (registro mensile degli esercizi)

L'asse X visualizza il giorno del mese. Utilizzare l'ultima misurazione della giornata annotata nel Daily Exercise Log (registro giornaliero degli esercizi) e indicarla nell'asse Y.

2.5 Pulizia

Pulire il TheraBite Jaw Mobilizer (mobilizzatore mandibolare) e l'Hand-Aid (supporto per mano) con acqua e detergente per piatti. Sciacquare bene, eliminare l'acqua in eccesso e lasciar asciugare. Dopo la pulizia esaminare i Bite Pads (cuscinetti antimorso) e sostituirli se necessario.

NOTA - Il materiale degli appoggia-denti tende a ritenere l'umidità, pertanto accertarsi che i bocchagli siano completamente asciutti prima di sostituire i Bite Pads (cuscinetti antimorso) e anche prima dell'uso.

Non lasciare in ammollo il TheraBite Jaw Mobilizer (mobilizzatore mandibolare) in liquidi né tentare di lavarlo in lavastoviglie.

La mancata ottemperanza alle precedenti istruzioni potrebbe alterare le proprietà del prodotto e causare malfunzionamenti.

2.6 Durata del dispositivo

A seconda del grado di manipolazione e utilizzo, la durata d'uso del dispositivo varia. Test di laboratorio sull'utilizzo giornaliero simulato per un periodo di test di 12 mesi mostrano che il dispositivo manterrà la sua integrità strutturale per questo periodo. L'utilizzo oltre i 12 mesi è a sola discrezione dell'utilizzatore.

2.7 Dispositivi supplementari

TheraBite ActiveBand: una fascia elastica in silicone utilizzata insieme al Jaw Mobilizer (mobilizzatore mandibolare) per rafforzare e/o mantenere forti e resistenti i muscoli masticatori.

2.8 Smaltimento

Attenersi sempre alle pratiche mediche e alle normative nazionali sui materiali biopericolosi per lo smaltimento di un dispositivo medico usato.

3. Risoluzione dei problemi

Presenza di residui sugli appoggia-denti

Causa possibile: potrebbe trattarsi di sporczia accumulatasi sugli appoggia-denti dopo periodi d'uso prolungati o metodi di pulizia non corretti.

Soluzione: con una lima per unghie limare delicatamente la superficie degli appoggia-denti, quindi sciacquare via completamente i residui. Asciugare gli appoggia-denti e applicarvi nuovi Bite Pads (cuscinietti antimorso). Attenersi alle istruzioni per la pulizia.

I Bite Pads (cuscinietti antimorso) non aderiscono bene agli appoggia-denti

Causa possibile: i Bite Pads (cuscinietti antimorso) potrebbero non aderire bene se gli appoggia-denti sono umidi o se i Bite Pads (cuscinietti antimorso) non sono stati posizionati correttamente sugli appoggia-denti.

Soluzione: assicurarsi sempre che gli appoggia-denti siano completamente asciutti e non contengano residui prima di applicare i Bite Pads (cuscinietti antimorso). Applicare pressione sufficiente a garantire una buona adesione iniziale agli appoggia-denti. Se possibile, prima di usare il dispositivo lasciare che l'adesivo faccia presa per tutta la notte.

4. Informazioni aggiuntive

4.1 Informazioni sull'assistenza agli utilizzatori

Per ulteriore assistenza o maggiori informazioni, fare riferimento all'ultima pagina delle presenti istruzioni per l'uso.

5. Segnalazioni

Si prega di notare che qualsiasi incidente grave verificatosi in relazione al dispositivo deve essere segnalato al fabbricante e all'autorità nazionale del Paese in cui risiede l'utilizzatore e/o il paziente.

Antes de iniciar cualquier actividad de rehabilitación con el sistema TheraBite, el usuario debe considerar las ventajas de los programas supervisados por un médico. Los médicos pueden seleccionar y combinar ejercicios para elaborar programas adecuados para las capacidades y objetivos de cada usuario, con vigilancia y revisiones periódicas.

1. Información descriptiva

1.1 Uso previsto

El TheraBite® Jaw Motion Rehabilitation System (sistema de rehabilitación del movimiento mandibular TheraBite) está indicado para personas que padecen o tienen riesgo de desarrollar trismo (limitación de la capacidad para abrir la boca por completo), o presentan dolor en las articulaciones o los músculos de la mandíbula. El dispositivo también puede utilizarse como una herramienta de rehabilitación para la fisioterapia posoperatoria de la mandíbula o para mantener la boca abierta en una posición estable, por ejemplo, para realizar ejercicios de disfagia.

El sistema TheraBite está concebido para su uso en un solo paciente, exclusivamente.

1.2 Contraindicaciones

El TheraBite no debe ser utilizado por:

- Personas que tengan o puedan tener fractura del maxilar o la mandíbula (maxilar superior o inferior), u otro tipo de debilidad de los huesos de la mandíbula.
- Personas que tengan infecciones de la mandíbula, osteomielitis (inflamación del hueso y la médula ósea) u osteorradionecrosis (necrosis del hueso debida a la radiación) de la mandíbula.

1.3 Descripción del dispositivo

El TheraBite Jaw Motion Rehabilitation System (sistema de rehabilitación del movimiento mandibular TheraBite) consta de los siguientes artículos:

- 1 Jaw Mobilizer (movilizador de mandíbula, fig. 1)
- 4 Bite Pads (almohadillas de mordida, fig. 2)
- 1 Hand-Aid (ayuda manual, fig. 3)
- 30 Range of Motion Scales (escalas de rango de movimientos, fig. 4)
- 1 Carrying Bag (bolsa de transporte, fig. 5)
- 1 Instrucciones de uso
- 1 Exercise Log (registro de ejercicios)

El Jaw Mobilizer (movilizador de mandíbula, fig. 1) es un dispositivo portátil con un intervalo ajustable, diseñado para ayudar a los usuarios a mejorar o mantener el rango de movimientos y la fuerza de la mandíbula de forma anatómicamente correcta. La presión aplicada por el usuario sobre la palanca proporciona fuerza de apertura para movimientos pasivos o estiramientos, o resistencia al cierre para el fortalecimiento.

El dispositivo consta de las siguientes piezas:

- a) Fine Adjustment Knob (mando de ajuste fino)
- b) Palanca
- c) Range Setting Arm (brazo de ajuste de la amplitud)
- d) Pieza bucal superior
- e) Pieza bucal inferior

PRECAUCIÓN: No intente separar las piezas bucales del dispositivo; si lo hace, el dispositivo podría fallar durante su uso.

Las Bite Pads (almohadillas de mordida, fig. 2) son almohadillas autoadhesivas concebidas para proteger la dentadura del usuario. Están disponibles en tres versiones: Regular (normal), Edentulous (edéntula, para pacientes desdentados, con un almohadillado más grueso para recortar a medida) y Pediatric (pediátrica). Los médicos, según su juicio clínico independiente, pueden apilar o recortar las Bite Pads (almohadillas de mordida) para proporcionar una mayor protección.

La Hand-Aid (ayuda manual, fig. 3) es una herramienta diseñada para mantener la palanca bajada y mantener la apertura durante los ejercicios de estiramiento.

La Range of Motion Scale (escala de rango de movimientos, fig. 4) se utiliza para supervisar el progreso del programa de rehabilitación. En el reverso de la escala hay una zona impresa donde puede anotar sus progresos; además, el dispositivo incluye un Exercise Log (registro de ejercicios) para el seguimiento de los progresos. La Range of Motion Scale (escala de rango de movimientos) es un producto desechable y no se debe limpiar.

1.4 Expectativas del dispositivo

Los movimientos pasivos y los estiramientos con el TheraBite

- Son eficaces para reducir el trismo producido por la radiación o la cicatrización en pacientes con cáncer de cabeza y cuello.
- Son eficaces para prevenir el trismo en pacientes sometidos a quimioterapia o radioterapia.
- Pueden ayudar a mejorar la función articular y mandibular, aumentar el rango de movimientos y reducir el dolor en pacientes con afecciones temporomandibulares.
- Tienen un efecto positivo sobre el resultado de la cirugía cuando se utilizan para la movilización precoz en pacientes sometidos a cirugía de la articulación temporomandibular.

El TheraBite también puede fortalecer los músculos de la mandíbula cuando se ejerce resistencia al cierre manualmente o con la ActiveBand. Durante los ejercicios de «tragar con la boca abierta», el TheraBite puede utilizarse para mantener la boca abierta en una posición estable.

NOTA: Los usuarios prospectivos deben consultar a su médico antes de utilizar el TheraBite para determinar si su uso es adecuado para su situación particular.

1.5 ADVERTENCIAS

- **NO** prosiga con el ejercicio si siente un dolor inesperado en cualquier momento mientras utiliza el TheraBite. Debe dejar de utilizar de inmediato el dispositivo y ponerse en contacto con su médico.
- **TENGA MUCHO CUIDADO** al hacer los ejercicios si tiene la dentadura debilitada, enfermedad de las encías, debilidad en los huesos o las articulaciones de la mandíbula, placas dentales, coronas o puentes. Podría sufrir lesiones si aplica demasiada fuerza al utilizar el TheraBite.

1.6 PRECAUCIONES

- No esterilice el TheraBite. Los procesos de esterilización pueden debilitar el TheraBite, que podría romperse durante el uso.
- Manipule siempre el TheraBite con cuidado; podría romperse durante el uso si ha sufrido daños por una manipulación brusca.
- No aplique demasiada fuerza a las piezas bucales. Estas piezas están diseñadas para romperse si se aplica demasiada fuerza durante el uso, con el fin de evitar lesiones mandibulares.

2. Instrucciones de uso

Antes del primer uso, el médico debe determinar la apertura máxima del TheraBite adecuada para cada usuario.

2.1 Preparación

Configuración de la apertura máxima del Jaw Mobilizer (movilizador de mandíbula)

Se pueden configurar aperturas máximas de aproximadamente 25 a 45 milímetros mediante la posición del Range Setting Arm (brazo de ajuste de la amplitud) o del Fine Adjustment Knob (mando de ajuste fino). El TheraBite puede utilizarse sin ajustar esta configuración, dependiendo de la capacidad del usuario para comprender y seguir las instrucciones para la aplicación de la presión adecuada.

Ajuste del Range Setting Arm (brazo de ajuste de la amplitud, fig. 6-7)

- Sostenga el dispositivo de lado.
- Utilice un objeto puntiagudo (como un bolígrafo) para mover el perno que conecta el Range Setting Arm (brazo de ajuste de la amplitud) a la palanca (fig. 7a y 7b).

- Alinee el Range Setting Arm (brazo de ajuste de la amplitud) en la posición deseada y vuelva a colocar el perno (el cambio de amplitud es de aproximadamente 5 mm por intervalo).

La escala del Jaw Mobilizer (movilizador de mandíbula) debe utilizarse solo como referencia. Para una referencia más precisa, utilice la Range of Motion Scale (escala de rango de movimientos).

2.2 Instrucciones de uso

Antes de cada uso, compruebe que el dispositivo no esté dañado. No utilice el dispositivo si presenta daños.

Coloque las Bite Pads (almohadillas de mordida) (fig. 8-9)

Asegúrese siempre de que las piezas bucales estén completamente secas antes de pegar las Bite Pads (almohadillas de mordida).

- Despegue el papel protector (fig. 8).
- Pegue una Bite Pad (almohadilla de mordida) a la pieza bucal superior y otra a la pieza bucal inferior (fig. 9).
- Aplique presión con los dedos para asegurarse de que queden bien adheridas a las piezas bucales. La presión y el calor durante un periodo prolongado harán que las Bite Pads (almohadillas de mordida) peguen mejor.

Para mejorar la adhesión de las Bite Pads (almohadillas de mordida), péguelas a las piezas bucales antes de irse a dormir y déjelas durante toda la noche. La adhesión de las Bite Pads (almohadillas de mordida) aumenta con el tiempo: mientras más tiempo permanezcan pegadas antes de utilizarlas, más fuerte será la adhesión.

Cambie las Bite Pads (almohadillas de mordida) cuando se desgasten. Puede pedir Bite Pads (almohadillas de mordida) adicionales por separado.

PRECAUCIÓN: El desprendimiento de las Bite Pads (almohadillas de mordida) o de partes de ellas durante el uso pueden obstruir la respiración. Asegúrese siempre de que las Bite Pads (almohadillas de mordida) estén bien fijadas a las piezas bucales.

Utilice el Fine Adjustment Knob (mando de ajuste fino) (fig. 10)

El Fine Adjustment Knob (mando de ajuste fino) puede utilizarse para detener el movimiento creado por el Jaw Mobilizer (movilizador de mandíbula) o hacerlo más lento. Si el mando se rompe por cualquier motivo, se puede pedir uno nuevo por separado.

- Atornille completamente el mando (en sentido antihorario) para detener la palanca en la posición más elevada (fig. 10a).
- A la vez que aprieta suavemente la palanca, desatornille el mando (en sentido horario) para que la pieza bucal inferior descienda lentamente (fig. 10b).
- Puede soltar la palanca en cualquier momento sin girar el Fine Adjustment Knob (mando de ajuste fino).

Utilice la Hand-Aid (ayuda manual) (fig. 11)

- Sostenga el Jaw Mobilizer (movilizador de mandíbula) con la mano izquierda y afloje el Fine Adjustment Knob (mando de ajuste fino) de forma que pueda apretar por completo la palanca.
- Tome la Hand-Aid (ayuda manual) con la mano derecha, con la ranura estrecha hacia arriba.
- Apriete la palanca y coloque el lado abierto de la Hand-Aid (ayuda manual) sobre la parte más baja de la palanca (fig. 11a).
- Gire la Hand-Aid (ayuda manual) un cuarto de vuelta en sentido horario, de forma que la hendidura para el mango quede sobre el mango, y suelte la palanca.
- Para utilizar el dispositivo, deslice la Hand-Aid (ayuda manual) hacia la boca (fig. 11b).

Para medir la apertura bucal máxima (distancia interincisiva máxima) (fig. 12)

- Abra la boca lo más posible, sin que le resulte molesto.
- Coloque la Range of Motion Scale (escala de rango de movimientos) de forma que la muesca descansa sobre el borde de uno de los incisivos inferiores.
- Gire la Range of Motion Scale (escala de rango de movimientos) hasta que toque uno de los incisivos superiores.
- Anote la lectura en el punto de contacto.

En el caso de los usuarios edéntulos, la distancia puede medirse entre la dentadura superior e inferior o bien, si el usuario no utiliza dentadura, entre las crestas alveolares (encías) superior e inferior.

Para medir el movimiento lateral (fig. 13)

- Apoye la Range of Motion Scale (escala de rango de movimientos) contra la barbilla, con los dientes superiores e inferiores tocándose suavemente.
- Alinee la flecha con un espacio entre dos dientes superiores (fig. 13a).
- Mueva la mandíbula suavemente de lado a lado y lea la medición en la escala lateral opuesta a la nueva posición del espacio (fig. 13b y 13c).

2.3 Programas de ejercicio

Se recomienda que el médico seleccione y combine los ejercicios adecuados para usted, junto con una vigilancia y revisiones periódicas.

Un programa de ejercicio utilizado con frecuencia es 5-5-30: Cinco veces al día. Cinco estiramientos cada vez. Cada estiramiento se mantiene durante 30 segundos. Cuando se considere suficiente realizar estiramientos cortos, un programa de ejercicios frecuentemente utilizado es 7-7-7: Siete veces al día. Siete estiramientos cada vez. Cada estiramiento se mantiene durante siete segundos.

Estiramiento/movimiento pasivo

- Ajuste el Fine Adjustment Knob (mando de ajuste fino) de forma que la palanca se mueva libremente. Deje que la palanca suba hasta el tope.
- Sostenga el Jaw Mobilizer (movilizador de mandíbula) con la mano que le resulte más cómoda.
- Relájese y coloque las piezas bucales entre sus dientes. Los incisivos deben tocar apenas el borde interior de la pieza bucal superior (fig. 14a).
- Apriete lentamente la palanca para abrir las piezas bucales. No muerda las piezas bucales (fig. 14b).
- Deje que la mandíbula siga el movimiento de las piezas bucales. Tenga cuidado de no inclinar el Jaw Mobilizer (movilizador de mandíbula) hacia arriba o hacia abajo al apretar la palanca. La inclinación puede hacer que la mandíbula se mueva de forma incorrecta.
- Mantenga la apertura durante el tiempo prescrito.
- Relaje la presión sobre la palanca para que la boca se cierre lentamente (fig. 14c).

Si le resulta difícil mantener abiertas las piezas bucales, puede utilizar la Hand-Aid (ayuda manual).

Fortalecimiento

- Introduzca las piezas bucales en su boca y apriete la palanca hasta alcanzar la apertura indicada.
- Muerda las piezas bucales sin soltar la palanca.
- Suelte lentamente la palanca, dejando que su boca se cierre contra la presión de la mano. Su médico le indicará la fuerza que debe utilizar para apretar la palanca mientras cierra la boca.
- Descanse un momento y repita el ejercicio.

Para los ejercicios de fortalecimiento con la ActiveBand TheraBite, consulte las instrucciones de uso de la ActiveBand TheraBite.

2.4 Uso del registro de ejercicios

Utilice la Range of Motion Scale (escala de rango de movimientos) para medir la apertura de su boca antes y después de cada ejercicio. El Exercise Log (registro de ejercicios) se utiliza para documentar y supervisar su progreso. Introduzca los siguientes datos en las columnas del registro:

Sección 1: Daily Exercise Log (registro de ejercicios diario)

A: Fecha

B: Hora

C: Tipo de programa de ejercicios/día

D: Distancia de apertura de la mandíbula

1) Antes; 2) Después del programa de ejercicios.

Sección 2: Monthly Exercise Log (registro de ejercicios mensual)

El eje de abscisas (X) muestra el día del mes. Utilice la última distancia de apertura del día anotada en el Daily Exercise Log (registro de ejercicios diario) e introdúzcala en el eje de ordenadas (Y).

2.5 Limpieza

Utilice únicamente agua y jabón lavavajillas para limpiar el Jaw Mobilizer (movilizador de mandíbula) TheraBite y la Hand-Aid (ayuda manual). Aclare bien, sacuda para eliminar el exceso de agua y deje secar. Después de la limpieza, examine las Bite Pads (almohadillas de mordida) y cámbielas si es necesario.

NOTA: Las piezas bucales están hechas de un material que tiende a conservar la humedad. Por este motivo, asegúrese de que las piezas bucales estén totalmente secas antes de cambiar las Bite Pads (almohadillas de mordida) y antes de utilizarlas.

No sumerja el Jaw Mobilizer (movilizador de mandíbula) TheraBite en ningún líquido ni intente lavarlo en un lavavajillas.

En caso contrario, podrían modificarse las propiedades de los productos y dar lugar a un funcionamiento incorrecto.

2.6 Vida útil del dispositivo

La vida útil del dispositivo varía en función de la manipulación y el uso. Las pruebas de laboratorio de simulación del uso diario durante un periodo de prueba de 12 meses muestran que el dispositivo mantiene su integridad estructural durante este periodo de tiempo. El uso después de este periodo es bajo responsabilidad exclusiva del usuario.

2.7 Otros dispositivos

ActiveBand TheraBite: una banda elástica de silicona que se utiliza junto con el Jaw Mobilizer (movilizador de mandíbula) para aumentar o mantener la fuerza y la resistencia de los músculos de la masticación.

2.8 Eliminación

Al desechar un dispositivo médico usado, siga siempre la práctica médica y los requisitos nacionales sobre peligros biológicos.

3. Información para la resolución de problemas

Hay residuos acumulados en las piezas bucales

Causa posible: La acumulación puede deberse a la suciedad recogida por las piezas bucales tras un periodo de uso prolongado o debido al uso de métodos de limpieza incorrectos.

Qué debe hacer: Utilice una lima de uñas para limar ligeramente la superficie de las piezas bucales y aclare los residuos por completo. Seque las piezas bucales y aplique Bite Pads (almohadillas de mordida) nuevas. Siga las instrucciones de limpieza.

Las Bite Pads (almohadillas de mordida) no se pegan correctamente a las piezas bucales

Causa posible: Es posible que las Bite Pads (almohadillas de mordida) no se peguen correctamente si las piezas bucales están húmedas o las Bite Pads (almohadillas de mordida) no se colocaron correctamente sobre las piezas bucales.

Qué debe hacer: Asegúrese siempre de que las piezas bucales estén completamente secas y libres de residuos antes de aplicar las Bite Pads (almohadillas de mordida). Aplique suficiente presión con los dedos para lograr una buena adhesión inicial a las piezas bucales. Deje que el adhesivo actúe durante toda la noche si es posible antes del uso.

4. Información adicional

4.1 Información de asistencia al usuario

Para obtener más ayuda o información, consulte la información de contacto en la contraportada de estas instrucciones de uso.

5. Notificación

Tenga en cuenta que cualquier incidente grave que se haya producido en relación con el dispositivo se comunicará al fabricante y a la autoridad nacional del país en el que resida el usuario y/o el paciente.

PORTUGUÊS

Antes de iniciar qualquer atividade de reabilitação que envolva o sistema TheraBite, os utilizadores devem considerar os benefícios de programas com supervisão clínica. Os profissionais de saúde podem selecionar e combinar exercícios para formar programas que sejam adequados às capacidades e objetivos de cada utilizador, incluindo a monitorização e revisão regulares.

1. Informação descritiva

1.1 Aplicação

O TheraBite® Jaw Motion Rehabilitation System (sistema de reabilitação dos movimentos mandibulares) está indicado para indivíduos que tenham, ou apresentem risco de desenvolver, trismo (restrições da capacidade em abrir a mandíbula) e/ou sintam dor nas articulações e/ou músculos da mandíbula. O dispositivo também poderá ser utilizado como uma ferramenta de reabilitação para fisioterapia pós-operatória da mandíbula ou para manter a boca aberta numa posição estável como, por exemplo, durante a realização de exercícios de disfagia. O sistema TheraBite destina-se exclusivamente a ser utilizado num único doente.

1.2 Contraindicações

O sistema TheraBite não se destina a ser utilizado por:

- indivíduos que tenham ou possam ter uma fratura na maxila (maxilar superior) ou mandíbula (maxilar inferior) ou outras fraquezas dos ossos da mandíbula.
- indivíduos com infecções da mandíbula, osteomielite (inflamação do osso e medula óssea) ou osteorradionecrose (necrose óssea causada por radiação) da mandíbula.

1.3 Descrição do dispositivo

O TheraBite Jaw Motion Rehabilitation System (sistema de reabilitação dos movimentos mandibulares) é composto pelas seguintes peças:

- 1 pç Jaw Mobilizer (mobilizador mandibular) (Fig. 1)
- 4 pçs Bite Pads (placas almofadadas) (Fig. 2)
- 1 pç Hand-Aid (Auxiliar de mão) (Fig. 3)
- 30 pçs Range of Motion Scale (escala da amplitude dos movimentos) (Fig. 4)
- 1 pç Carrying Bag (bolsa de transporte) (Fig. 5)
- 1 pç Instruções de utilização
- 1 pç Exercise Log (registo de exercícios)

O Jaw Mobilizer (mobilizador mandibular) (Fig. 1) é um dispositivo portátil com um intervalo ajustável, que foi concebido para ajudar os utilizadores a melhorar ou manter a amplitude de movimento e a força mandibular de uma forma anatomicamente correta. A pressão aplicada pelo utilizador sobre a alavanca fornece uma força de abertura para movimento passivo ou alongamento ou resistência para fecho, para fortalecimento.

O dispositivo é composto pelas seguintes peças:

- a) Fine Adjustment Knob (botão de ajuste preciso)
- b) Alavanca
- c) Range Setting Arm (braço de regulação da amplitude)
- d) Peça bucal superior
- e) Peça bucal inferior

ATENÇÃO: Não tente separar as peças bucais do dispositivo, pois esta ação poderá originar a falha durante a utilização.

As Bite Pads (placas almofadadas) (Fig. 2) são placas autoadesivas, concebidas para proteger os dentes do utilizador. Estão disponíveis em três versões: Regular, Edentulous (edêntula) (sem dentes, almofadamento mais espesso para corte personalizado) e Pediatric (pediátrica). Os profissionais de saúde podem, de acordo com os seus critérios médicos independentes, empilhar ou cortar as Bite Pads (placas almofadadas) para conferir proteção extra.

O Hand-Aid (auxiliar de mão) (Fig. 3) é uma ferramenta concebida para manter a alavanca para baixo e a abertura durante os exercícios de alongamento.

A Range of Motion Scale (escala da amplitude de movimentos) (Fig. 4) é utilizada para monitorizar o progresso do programa de reabilitação. No lado inverso da escala existe uma área impressa para registar o seu progresso e um Exercise Log (registo de exercícios) que é fornecido com o dispositivo para acompanhar o seu progresso. A Range of Motion Scale (Escala da amplitude dos movimentos) é um produto descartável que não deverá ser limpo.

1.4 Expetativas para o dispositivo

Movimentos passivos e alongamento com o TheraBite

- são eficazes na redução do trismo resultante de radiação e/ou formação de cicatrizes na cabeça e no pescoço de doentes com cancro.
- são eficazes na prevenção de trismo em doentes submetidos a (químio) radiação.
- pode ajudar a melhorar a função articular e mandibular, melhorar o movimento da articulação e reduzir a dor em doentes com distúrbios temporomandibulares.
- tem um efeito positivo no resultado da cirurgia quando utilizado para mobilização precoce em doentes submetidos a cirurgia da articulação temporomandibular.

O TheraBite pode ainda fortalecer os músculos mandibulares quando a resistência ao fechamento for feita à mão ou com a ActiveBand. Durante o “Exercício de deglutição com a boca aberta”, o TheraBite pode ser utilizado para manter a boca aberta numa posição estável.

NOTA: Os utilizadores prospetivos devem consultar o profissional de saúde antes da utilização para determinar se o TheraBite é adequado para a sua condição.

1.5 ADVERTÊNCIAS

- **NÃO** continue os exercícios se sentir dor inesperada em qualquer altura durante a realização de exercícios com o TheraBite. Deverá parar imediatamente de usar o produto e contactar o seu profissional de saúde.
- **EXERCITE-SE** com muito cuidado se tiver dentes fracos, doença gengival, ossos ou articulações fracos na mandíbula, placas dentárias, coroas ou pontes. Poderão ocorrer lesões caso seja aplicada força excessiva enquanto utilizar o TheraBite.

1.6 PRECAUÇÕES

- Não esterilize o TheraBite. Os processos de esterilização podem enfraquecer o TheraBite, que poderá partir-se durante a utilização.
- Manuseie sempre o TheraBite com cuidado, pois poderá partir-se durante a utilização se for danificado devido a manuseamento forçado.
- Não aplique demasiada força nas peças bucais. Foram concebidos de modo a que se partam caso seja aplicada força excessiva para evitar lesões na mandíbula.

2. Instruções de utilização

Antes da primeira utilização, o profissional de saúde deverá determinar a abertura máxima do TheraBite adequada para cada utilizador.

2.1 Preparação

Regulação da abertura máxima do Jaw Mobilizer (mobilizador mandibular)

Aberturas máximas de aproximadamente 25 a 45 milímetros podem ser definidas pela posição do Range Setting Arm (braço de regulação da amplitude) ou pela posição do Fine Adjustment Knob (botão de ajuste preciso). O TheraBite pode ser utilizado sem ajustar estas definições, dependendo da capacidade do utilizador para compreender e implementar instruções para aplicação de pressão adequada.

Ajustar o Range Setting Arm (braço de regulação da amplitude) (Figs. 6-7)

- Mantenha o dispositivo de lado.
- Utilize um objeto pontiagudo (tal como uma caneta) para mover o pino que liga o Range Setting Arm (braço de regulação da amplitude) à alavanca (Figs. 7a e 7b).
- Alinhe o Range Setting Arm (braço de regulação da amplitude) na posição desejada e substitua o pino. (A alteração do intervalo é de aproximadamente 5 mm por intervalo.)

A escala do Jaw Mobilizer (mobilizador mandibular) serve apenas como referência. Utilize a Range of Motion Scale (escala da amplitude dos movimentos) para uma referência mais exata.

2.2 Instruções de funcionamento

Antes de cada utilização, verifique se o dispositivo não está danificado. Não utilize o dispositivo se estiver danificado.

Colocar as Bite Pads (placas almofadadas) (Figs. 8-9)

Certifique-se sempre de que as peças bucais estão totalmente secas antes de fixar as Bite Pads (placas almofadadas).

- Descole o revestimento (Fig. 8).
- Fixe uma Bite Pad (placa almofadada) à peça bucal superior e outra à peça bucal inferior (Fig. 9).
- Aplique pressão com os seus dedos para garantir uma correta aderência às peças bucais. A aplicação de pressão e aquecimento durante um período prolongado farão com que as Bite Pads (placas almofadadas) adiram melhor.

Para melhorar a aderência das Bite Pads (placas almofadadas), fixe as Bite Pads (placas almofadadas) às peças bucais antes de ir para a cama e deixe-as durante a noite. O elo adesivo nas Bite Pads (placas almofadadas) aumenta ao longo do tempo: quanto mais tempo as placas forem fixas antes da utilização, com mais força tenderão a aderir.

Substitua as Bite Pads (placas almofadadas) quando ficarem gastas. Poderão ser encomendadas em separado mais Bite Pads (placas almofadadas).

ATENÇÃO: A libertação de Bite Pads (placas almofadadas) ou de partes destas placas durante a utilização poderá obstruir a respiração. Certifique-se sempre de que as Bite Pads (placas almofadadas) estão bem fixadas às peças bucais.

Utilização do Fine Adjustment Knob (botão de ajuste preciso) (Fig. 10)

O Fine Adjustment Knob (botão de ajuste preciso) pode ser utilizado para tornar mais lento ou parar o movimento criado pelo Jaw Mobilizer (mobilizador mandibular). Se o botão se partir por algum motivo, poderá encomendar em separado um novo botão.

- Rode totalmente o botão (no sentido contrário ao dos ponteiros do relógio) para parar a alavanca na posição mais elevada (Fig. 10a).
- Enquanto aperta ligeiramente a alavanca, rode o botão para fora (no sentido dos ponteiros do relógio) para permitir que a peça bucal inferior se mova lentamente para baixo (Fig. 10b).
- A alavanca pode ser libertada em qualquer altura sem rodar o Fine Adjustment Knob (botão de ajuste preciso).

Utilização do Hand-Aid (auxiliar de mão) (Fig. 11)

- Segure o Jaw Mobilizer (mobilizador mandibular) com a mão esquerda e desaperte o Fine Adjustment Knob (botão de ajuste preciso) de modo que a alavanca possa ser totalmente pressionada para baixo.
- Segure no Hand-Aid (auxiliar de mão) com a mão direita, com o sulco estreito virado para cima.
- Aperte a alavanca para baixo e coloque o lado aberto do Hand-Aid (auxiliar de mão) sobre a parte mais inferior da alavanca (Fig. 11a).
- Rode o Hand-Aid (auxiliar de mão) um quarto de volta no sentido dos ponteiros do relógio, de modo que o sulco do manípulo fique sobre o manípulo; deixe de apertar.
- Para utilizar, faça deslizar o Hand-Aid (auxiliar de mão) em direção à boca (Fig. 11b).

Para medir a abertura máxima da boca (abertura máxima entre incisivos) (Fig. 12)

- Abra a boca até ao máximo possível sem desconforto.
- Coloque a Range of Motion Scale (escala da amplitude dos movimentos) de modo a que o entalhe fique repousado sobre a extremidade de um dente frontal inferior.
- Rode a Range of Motion Scale (escala da amplitude dos movimentos) até que contacte com um dente frontal superior.
- Faça a leitura no ponto de contacto.

Em utilizadores edêntulos, a distância pode ser medida entre as placas (dentaduras) superior e inferior ou, caso o utilizador não esteja a usar placas, entre as cristas alveolares (gengivas) superior e inferior.

Para medir os movimentos laterais (Fig. 13)

- Apoie a Range of Motion Scale (escala da amplitude dos movimentos) contra o queixo, fechando os dentes superiores e inferiores sem pressionar.
- Alinhe a seta com um espaço entre os dois dentes superiores (Fig. 13a).
- Desloque a mandíbula suavemente, lado a lado, e leia a medição na escala lateral oposta à nova posição do espaço (Figs. 13b e 13c).

2.3 Programas de exercício

Recomenda-se que o profissional de saúde selecione e combine exercícios que sejam adequados para o seu caso, incluindo a monitorização e revisão regulares.

Um programa de exercício frequentemente utilizado é 5-5-30: Cinco vezes por dia. Cinco alongamentos de cada vez. Cada alongamento mantido durante 30 segundos. Quando alongamentos mais curtos forem considerados suficientes, um programa de exercício frequentemente utilizado é 7-7-7: Sete vezes por dia. Sete alongamentos de cada vez. Cada alongamento mantido durante sete segundos.

Movimentos de alongamento/passivos

- Ajuste o Fine Adjustment Knob (botão de ajuste preciso) para que a alavanca se mova livremente. Deixe a alavanca ir totalmente até cima.
- Segure o Jaw Mobilizer (mobilizador mandibular) na mão que for mais confortável para si.
- Relaxe e coloque as peças bucais entre os dentes. Os seus dentes frontais deverão apenas tocar no bordo interno da peça bucal superior (Fig. 14a).
- Aperte lentamente a alavanca para abrir as peças bucais. Não morda as peças bucais (Fig. 14b).
- Deixe a mandíbula seguir os movimentos das peças bucais. Tenha cuidado para não inclinar o Jaw Mobilizer (mobilizador mandibular) para cima ou para baixo, à medida que aperta a alavanca. A inclinação poderá fazer com que a mandíbula se mova incorretamente.
- Mantenha a boca aberta durante o tempo indicado.
- Alivie o aperto e deixe a boca fechar lentamente (Fig. 14c). Se sentir dificuldades em manter as peças bucais abertas, poderá utilizar o Hand-Aid (auxiliar de mão).

Fortalecimento

- Insira as peças bucais e aperte-as até atingir a abertura indicada.
- Morda as peças bucais sem soltar a alavanca.
- Solte lentamente a alavanca, permitindo que a boca feche contra a pressão da mão. O profissional de saúde que o acompanha irá aconselhá-lo acerca do grau de aperto ao fechar.
- Repouse por breves instantes e repita.

No caso de exercícios de fortalecimento com a TheraBite ActiveBand, consulte as instruções de utilização TheraBite ActiveBand.

2.4 Utilização do Exercise Log (registo de exercícios)

Utilize a Range of Motion Scale (escala de amplitude dos movimentos) para medir a abertura da boca antes e depois de cada exercício. O Exercise Log (registo de exercícios) é utilizado para documentar e monitorizar o seu progresso. As colunas do registo destinam-se aos seguintes dados:

Secção 1: Daily Exercise Log (registo de exercícios diário)

A: Data

B: Hora

C: Tipo de programa de exercício/dia

D: Medição da abertura mandibular

1) Antes; 2) Depois do programa de exercícios.

Secção 2: Monthly Exercise Log (registo de exercícios mensal)

O eixo X apresenta o dia do mês. Utilize a última medição do dia do Daily Exercise Log (registo de exercícios diário) e introduza-a no eixo das ordenadas (Y).

2.5 Limpeza

Utilize água e detergente da loiça para limpar o TheraBite Jaw Mobilizer (mobilizador mandibular) e o Hand-Aid (auxiliar de mão). Enxague bem, retire o excesso de água e deixe secar. Após a limpeza, examine as Bite Pads (placas almofadadas) e substitua-as se necessário.

NOTA: As peças bucais são fabricadas num material que tem tendência para reter a humidade. Assim, certifique-se de que as peças bucais estão totalmente secas antes de fixar as Bite Pads (placas almofadadas) e também antes da utilização.

Não mergulhe o TheraBite Jaw Mobilizer (mobilizador mandibular) em líquidos nem tente lavá-lo numa máquina de lavar a loiça.

O não cumprimento das indicações anteriores poderá alterar as propriedades dos produtos e causar avaria.

2.6 Vida útil do dispositivo

Dependendo do manuseamento e utilização, a vida útil do dispositivo varia. Testes laboratoriais de utilização diária simulada durante um período de teste de 12 meses demonstram que o dispositivo mantém a sua integridade estrutural durante este período de tempo. A utilização para além deste período é feita por opção única do utilizador.

2.7 Dispositivos adicionais

TheraBite ActiveBand: Uma banda de silicone elástica utilizada em conjunto com o Jaw Mobilizer (mobilizador mandibular) para aumentar e/ou manter a força muscular e a resistência dos músculos da mastigação.

2.8 Eliminação

Siga sempre as práticas médicas e os requisitos nacionais relativos a riscos biológicos ao eliminar um dispositivo médico usado.

3. Informações sobre resolução de problemas

Acumulam-se resíduos nas peças bucais

Causa possível: A acumulação pode dever-se a sujidade acumulada nas peças bucais após longos períodos de utilização ou a métodos de limpeza incorretos.

O que fazer: Utilize uma lima de unhas para limar ligeiramente a superfície das peças bucais e lave totalmente os resíduos. Seque as peças bucais e aplique novas Bite Pads (placas almofadadas). Siga as instruções de limpeza.

As Bite Pads (placas almofadadas) não aderem corretamente às peças bucais

Causa possível: As Bite Pads (placas almofadadas) poderão não ficar bem aderentes se as peças bucais contiverem humidade ou se as Bite Pads (Placas almofadadas) não tiverem sido corretamente colocadas nas peças bucais.

O que fazer: Certifique-se sempre de que as peças bucais estão totalmente secas e sem detritos antes de aplicar as Bite Pads (placas almofadadas). Aplique pressão suficiente para garantir uma boa aderência inicial às peças bucais. Se possível, deixe o adesivo colocado durante a noite, para que fique bem aderente.

4. Informações adicionais

4.1 Informações para assistência ao utilizador

Para obter mais ajuda ou informações, consulte as informações de contacto na contracapa destas instruções de utilização.

5. Comunicação de incidentes

Tenha em atenção que qualquer incidente grave que tenha ocorrido, relacionado com o dispositivo, deve ser comunicado ao fabricante e à autoridade nacional do país onde o utilizador e/ou o paciente residem.

5. חובת דיווח

לתשומת לבך, כל תקרית חמורה שתתרחש בהקשר להתקן תדווח ליצרן ולרשות הלאומית במדינת המגורים של המשתמש ו/או המטופל.

2.5 ניקוי

השתמש במים ובסבון כלים לניקוי ה-TheraBite Jaw Mobilizer (התקן TheraBite להנעת לסתות) וה-Hand-Aid (עזר ליד). שטוף היטב, נער את המים העודפים, ותן להם להתייבש. לאחר הניקוי, בדוק את ה-Bite Pads (רפידות הנשיכה) והחלף אותן לפי הצורך.

הערה: הפומית עשויה מחומר שנוטה לשמר לחות. לכן, ודא שהפומית תהיה יבשה לחלוטין לפני שתחליף את ה-Bite Pads (רפידות הנשיכה) ולפני השימוש.

אל תשרה את ה-TheraBite Jaw Mobilizer (התקן TheraBite להנעת לסתות) בנוזל כלשהו ואל תנסה לשטוף אותו במדיח כלים. אי ציות להוראות הנ"ל עלול לשנות את תכונות המוצרים ולגרום לתקלות.

2.6 אורך חיי ההתקן

אורך החיים של ההתקן משתנה בהתאם לטיפול ולשימוש בו. מבדיקות מעבדה של הדמיית שימוש יומי לאורך תקופת בדיקה של 12 חודשים, עולה כי ההתקן יישאר שלם במשך פרק זמן זה. השימוש בהתקן מעבר לפרק זמן זה יעשה על פי שיקול דעתו הבלעדי של המשתמש.

2.7 התקנים נוספים

TheraBite ActiveBand: רצועת סיליקון גמישה המשמשת יחד עם ה-Jaw Mobilizer (התקן להנעת לסתות) להגברתם ו/או לשמירתם של חוזקם ועמידותם של שרירי הלעיסה.

2.8 סילוק

פעל תמיד בהתאם לפרקטיקה הרפואית ולדרישות הנהוגות במדינה בנוגע לנושאים של סיכון ביולוגי בעת סילוקו של התקן רפואי משומש.

3. מידע לאיתור ותיקון תקלות

מתפתחת הצטברות חומרים על הפומית

סיבה אפשרית: מצב זה עלול להתפתח עקב הצטברות של לכלוך על הפומית לאחר פרקי זמן ממושכים של שימוש או עקב שיטות ניקוי לקויות.

מה לעשות: השתמש בפצירה (פצירת ציפורניים) כדי לשייף קלות את משטח הפומית ושטוף את הפומית לסילוק מוחלט של השאריות. יבש את הפומית ושים Bite Pads (רפידות הנשיכה) חדשות. פעל בהתאם להוראות הניקוי.

ה-Bite Pads (רפידות הנשיכה) אינן נדבקות כראוי על הפומית סיבה אפשרית: ה-Bite Pads (רפידות הנשיכה) עלולות שלא להידבק כראוי אם הפומית מכילה לחות או אם הן לא הונחו נכון על הפומית. **מה לעשות:** לפני שתשים את ה-Bite Pads (רפידות הנשיכה), ודא תמיד שהפומית תהיה יבשה לחלוטין וללא הצטברות חומרים. הפעל לחץ במידה מספקת כדי להבטיח שהדבקת רפידות הנשיכה לפומית הצליחה. אם ניתן, אפשר להדבקה להתחזק במשך הלילה לפני השימוש.

4. מידע נוסף

4.1 מידע למתן סיוע למשתמש

לסיוע או למידע נוסף, עיין בכריכה האחורית של הוראות השימוש האלה למציאת פרטי קשר.

2.3 תוכניות תרגול

מומלץ שהקלינאי יבחר וישלב תרגילים המתאימים לך, לרבות ניטור וחזרה קבועים.

תוכנית תרגול נפוצה היא 5-5-30: חמש פעמים ביום. חמש מתיחות בכל פעם. כל מתיחה מחזיקים במשך 30 שניות. כשנראה שמתיחות קצרות מספיקות, תוכנית תרגול נפוצה היא 7-7-7: שבע פעמים ביום. שבע מתיחות בכל פעם. כל מתיחה מחזיקים במשך שבע שניות.

מתיחה/תנועה פסיבית

- כוון את ה-Fine Adjustment Knob (כפתור הכווןן העדין) כך שהידית תנוע בחופשיות. אפשר לידיית לעלות עד הסוף.
- החזק את ה-Jaw Mobilizer (התקן להנעת לסתות) ביד הנוחה לך ביותר.
- הרפה, והנח את הפומית בין השיניים. השיניים הקדמיות יגעו קלות בקצה הפנימי של הפומית העליונה (איור 14a).
- לחץ באיטיות על הידיית כדי לפתוח את הפומית. אל תנשוך את הפומית (איור 14b).
- אפשר ללסת להתנועע לפי תנועת הפומית. הקפד שלא להטות את ה-Jaw Mobilizer (התקן להנעת לסתות) כלפי מעלה או מטה בעת הלחיצה על הידיית. ההטיה עלולה לגרום ללסת לנוע בצורה לא נכונה.
- החזק את הפה פתוח לפי ההוראות.
- שחרר את הלחיצה, ואפשר לפה להיסגר באיטיות (איור 14c).
- אם קשה לך להחזיק את הפומית פתוחה, תוכל להשתמש ב-Hand-Aid (עזר ליד).

חיזוק

- הכנס את הפומית לפה ולחץ עד שתגיע לפתיחה הדרושה על פי ההוראות.
- נשוך את הפומית בלי לשחרר את הידיית.
- שחרר לאט את הידיית ואפשר לפה להיסגר כנגד לחץ היד.
- הקלינאי ימליץ לך על דרגת חוזק הלחיצה בעת סגירת הפה.
- הרפה מעט לצורך מנוחה וחזור על הפעולות הנ"ל.
- לתרגילי חיזוק באמצעות ה-TheraBite ActiveBand, עיין בהוראות השימוש של ה-TheraBite ActiveBand.

2.4 שימוש ב-Exercise Log (יומן התרגול)

השתמש ב-Range of Motion Scale (סרגל טווח התנועה) כדי למדוד את פתיחת הפה לפני כל תרגיל ואחריו. ה-Exercise Log (יומן התרגול) משמש לתיעוד ההתקדמות שלך ולניטורה. העמודות ביומן נועדו למילוי הנתונים הבאים:

חלק 1: Daily Exercise Log (יומן תרגול יומי)

A: תאריך

B: שעה

C: סוג תוכנית התרגול ביום

D: מדידת פתיחת הלסת

(1 לפני; 2 אחרי תוכנית התרגול.

חלק 2: Monthly Exercise Log (יומן תרגול חודשי)

ציר ה-X מייצג את היום בחודש. השתמש במדידה האחרונה ביום מתוך ה-Daily Exercise Log (יומן התרגול היומי) והזן אותו בציר ה-Y.

זהירות: Bite Pads (רפידות נשיכה) או חלקים מהן שמשחררות במהלך השימוש עלולות לחסום את הנשימה. ודא תמיד שה-Bite Pads (רפידות הנשיכה) מודבקות היטב לפומית.

השתמש ב-Fine Adjustment Knob (כפתור הכוונון העדין) (איור 10)
ניתן להשתמש ב-Fine Adjustment Knob (כפתור הכוונון העדין) להאטת התנועה הנוצרת על ידי ה-Jaw Mobilizer (התקן להנעת לסתות) או לעצירתה. אם הכפתור נשבר מסיבה כלשהי, ניתן להזמין בנפרד כפתור חדש.

- סובב את הכפתור עד הסוף (נגד כיוון השעון) כדי לעצור את הידית במיקום הגבוה ביותר (איור 10a).
- סובב את הכפתור החוצה (בכיוון השעון) תוך כדי לחיצה עדינה על הידית כדי לאפשר לפומית התחתונה לנוע באיטיות כלפי מטה (איור 10b).
- ניתן לשחרר את הידית בכל עת מבלי לסובב את ה-Fine Adjustment Knob (כפתור הכוונון העדין).

השתמש ב-Hand-Aid (עזר ליד) (איור 11)

- החזק את ה-Jaw Mobilizer (התקן להנעת לסתות) ביד שמאל, ושחרר את ה-Fine Adjustment Knob (כפתור הכוונון העדין) כך שהידית תהיה לחוצה עד הסוף כלפי מטה.
- החזק את ה-Hand-Aid (העזר ליד) ביד ימין כאשר החריץ הצר פונה כלפי מעלה.
- לחץ על הידית כלפי מטה, והנח את הצד הפתוח של ה-Hand-Aid (העזר ליד) על פני החלק הנמוך ביותר של הידית (איור 11a).
- סובב את ה-Hand-Aid (העזר ליד) רבע סיבוב לכיוון השעון, כך שחריץ הידית יהיה מעל הידית, ושחרר את הלחיצה.
- כדי להשתמש בהתקן, החלק את ה-Hand-Aid (העזר ליד) לעבר הפה (איור 11b).

כדי למדוד את הפתיחה המרבית של הפה (המרחק המרבי בעת פתיחה מרבית של הפה בין קצה השן החותכת המרכזית בלסת העליונה לבין קצה השן החותכת המרכזית בלסת התחתונה) (איור 12)

- פתח את הפה באופן מרבי עד גבול הנוחות.
- הנח את ה-Range of Motion Scale (סרגל טווח התנועה), כך שהחריץ יהיה מונח על הקצה התחתון של השן הקדמית.
- סובב את ה-Range of Motion Scale (סרגל טווח התנועה) עד שייגע בשן הקדמית העליונה.
- רשום את הערך שנמדד בנקודת המגע.
- אצל משתמשים חסרי שיניים, ניתן למדוד את המרחק בין השיניים התחתונות העליונות לתחתונות, או אם אין למשתמש שיניים תותבות, ניתן למדוד את המרחק בין קצות החניכיים בלסת העליונה ללסת התחתונה.

כדי למדוד את תנועה הצדה (איור 13)

- הנח את ה-Range of Motion Scale (סרגל טווח התנועה) על הסנטר כאשר השיניים העליונות והשיניים התחתונות נסגרות יחד בעדינות.
- ישר את החץ לפי הרווח שבין שתי שיניים עליונות (איור 13a).
- הזז בעדינות את הלסת מצד לצד וקרא את הערך שנמדד בסרגל הצדי ממול למקום החדש של הרווח (איורים 13b ו-13c).

1.6 אמצעי זהירות

- אל תעקק את ה-TheraBite. תהליכי עיקור עלולים להחליש את התקן TheraBite, והוא עלול להישבר במהלך השימוש.
- נהג תמיד בהתקן TheraBite בזהירות; הוא עלול להישבר במהלך השימוש אם ייגרם לו נזק אם יופעל.
- אל תפעיל כוח רב מדי על הפומיות. הן נועדו להישבר אם מופעל כוח רב מדי במהלך השימוש כדי למנוע פציעה בלסת.

2. הוראות שימוש

לפני השימוש בפעם הראשונה, הקלינאי יקבע מהי הפתיחה המרבית של ה-TheraBite המתאימה לכל משתמש.

2.1 הכנה

הגדרת הפתיחה המרבית של ה-Jaw Mobilizer (התקן להנעת לסתות)

פתיחות מרביות של 25 עד 45 מילימטרים ניתן להגדיר על ידי המצב של Range Setting Arm (זרוע הגדרת הטווח) או המצב של ה-Fine Adjustment Knob (כפתור הכוונון העדין). ניתן להשתמש ב-TheraBite ללא כוונון הגדרות אלה, בהתאם ליכולתו של המשתמש להבין וליישם הוראות להפעלת הלחץ המתאים.

כוונון Range Setting Arm (זרוע הגדרת הטווח) (איור 6-7)

- החזק את ההתקן בצדו.
 - היעזר בחפץ מחודד (כמו עט) כדי להזיז את הפין המחובר את ה-Range Setting Arm (זרוע הגדרת הטווח) לידיית (איורים 7a ו-7b).
 - ישר את ה-Range Setting Arm (זרוע הגדרת הטווח) במצב הרצוי והחזר את הפין למקומו. (שינוי הטווח הוא בהפרשים של כ-5 מ"מ.)
- הסרגל ב-Jaw Mobilizer (התקן להנעת לסתות) הוא לצורך ייחוס בלבד. היעזר ב-Range of Motion Scale (סרגל טווח התנועה) לקבלת נתונים מדויקים יותר.

2.2 הוראת הפעלה

לפני כל שימוש, ודא שההתקן אינו פגום. אל תשתמש בהתקן אם הוא פגום.

שים את ה-Bite Pads (רפידות הנשיכה) (איורים 8-9)

- ודא תמיד שהפומית תהיה יבשה לחלוטין לפני הדבקת ה-Bite Pads (רפידות הנשיכה).
- קלף את הציפוי הפנימי (איור 8).
 - הדבק Bite Pad (רפידת נשיכה) אחת לפומית העליונה ורפידת נשיכה אחרת לפומית התחתונה (איור 9).
 - הפעל לחץ בעזרת אצבעותיך כדי להבטיח הדבקה נאותה לפומית. הפעלת לחץ וחימום המקום במשך פרק זמן ממושך יאפשרו הדבקה טובה יותר של ה-Bite Pads (רפידות הנשיכה).
- כדי לשפר את הדבקת ה-Bite Pads (רפידות הנשיכה), הצמד אותן אל הפומית לפני שעת השינה והשאר אותן כך למשך הלילה. אחיזת הדבק על רפידות הנשיכה מתחזקת לאורך זמן: ככל שהרפידות יהיו מודבקות זמן ממושך יותר לפני השימוש, כך ההדבקה תהיה חזקה יותר.
- החלף את ה-Bite Pads (רפידות הנשיכה) לאחר שהתבלו. ניתן להזמין Bite Pads (רפידות נשיכה) בנפרד.

ההתקן בנוי מהחלקים הבאים:

(a)	Fine Adjustment Knob (כפתור הכוונון העדין)
(b)	ידית
(c)	Range Setting Arm (זרוע הגדרת טווח)
(d)	פומית עליונה
(e)	פומית תחתונה

זהירות: אל תנסה להוציא את הפומית מההתקן, כדי לא לגרום לכשל במהלך השימוש.

Bite Pads (רפידות הנשיכה) (איור 2) הן רפידות דביקות שנועדו להגן על שיני המשתמש. הן קיימות בשלוש גרסאות: Regular (רגילות), Edentulous (לאנשים חסרי שיניים) (עם ריפוד עבה יותר להקטנת העובי לצורך התאמה אישית) ו-Pediatric (לילדים). קלינאים עשויים, בהתאם לשיקול הדעת הרפואי העצמאי שלהם, לערום או להקטין את עוביין של ה-Bite Pads (רפידות נשיכה) להגברת ההגנה.

Hand-Aid (עזר ליד) (איור 3) הוא כלי שנועד להחזיק את הידית כלפי מטה ולשמור על פתיחה במהלך תרגילי המתיחה.

Range of Motion Scale (סרגל טווח התנועה) (איור 4) משמש לניטור התקדמותה של תוכנית השיקום. בצדו האחורי של הסרגל מודפס דף לרישום התקדמותך, וה-Exercise Log (יומן התרגול) מגיע עם ההתקן כדי לנטר את התקדמותך. ה-Range of Motion Scale (סרגל טווח התנועה) הוא מוצר חד-פעמי ואין לנקות אותו.

1.4 ציפיות מההתקן

תנועה פסיבית ומתיחה באמצעות ה-TheraBite

- הן אפקטיביות בהפחתת הטריזמוס (הגבלת היכולת לפתוח את הלסת) עקב הקרנות ו/או צלקות אצל חולי סרטן הראש והצוואר.
 - הן אפקטיביות במניעת הטריזמוס (הגבלת היכולת לפתוח את הלסת) אצל חולים שעוברים טיפול קרינה משולב בכימותרפיה.
 - הן יכולות לעזור בשיפור תפקוד המפרק והלסת, בשיפור טווח התנועה ובהפחתת הכאב אצל מטופלים עם הפרעות תפקודיות במערכת הלעיסה.
 - יש להן השפעה חיובית על תוצאות הניתוח כאשר מפעילים אותן להנעה מוקדמת אצל מטופלים שעברו ניתוח במפרק הלסת. TheraBite יכול גם לחזק את שריר הלסת כאשר ההתנגדות לסגירה נעשית ביד או בעזרת רצועת ה-ActiveBand.
 - במהלך 'תרגיל פתיחה בליעה', ניתן להשתמש ב-TheraBite כדי להחזיק את הפה פתוח במצב יציב.
- הערה:** על משתמשים עתידיים להיוועץ בקלינאים שלהם לפני השימוש, כדי לקבוע אם TheraBite מתאים למצבם הרפואי הספציפי.

1.5 אזהרות

- אל תמשיך בתרגילים אם אתה חש כאב בלתי צפוי בכל עת בעת התרגול ב-TheraBite. עליך להפסיק מיד להשתמש בהתקן וליצור קשר עם הקלינאי.
- **תרגל** בזזהירות רבה אם יש לך שיניים מוחלשות, מחלת חניכיים, עצמות או מפרקים מוחלשים בלסת, שיניים תותבות, כתרים או גשרים. קיימת סכנת פציעה אם מופעל כוח רב מדי בעת השימוש ב-TheraBite.

לפני שמתחילים בפעילות שיקום כלשהי הכרוכה בשימוש במערכת TheraBite, על כל משתמש לתת את דעתו על התועלת שיפיק מתוכניות הפועלות בהשגחה רפואית. קלינאים עשויים לבחור ולשלב תרגילים, כדי ליצור תוכניות המתאימות ליכולותיו ולמטרותיו של כל משתמש, לרבות ניטור וחזרה קבועים.

1. מידע תיאורי

1.1 שימוש מיועד

TheraBite® Jaw Motion Rehabilitation System (מערכת TheraBite לשיקום תנועת הלסתות) מותווית לאנשים שיש להם טריזמוס (הגבלה ביכולת לפתוח את הלסת) או נמצאים בסיכון לפתח טריזמוס, ו/או חשים כאב במפרקי הלסת ו/או בשרירי הלסת. ניתן להשתמש בהתקן גם ככלי שיקום לטיפול גופני בלסת לאחר ניתוח, או לצורך שמירה על פה פתוח במצב יציב, לדוגמה בעת ביצוע תרגילים לטיפול בדיספגיה (קשיי בליעה).

מערכת TheraBite נועדה לשימוש על ידי מטופל אחד בלבד.

1.2 התוויות נגד

מערכת TheraBite לא נועדה לשימוש על ידי:

- אנשים שיש להם, או עלול להיות להם, שבר בלסת העליונה או התחתונה או חולשות אחרות בעצמות הלסת.
- אנשים שיש להם דלקות בלסת, אוסטאומיאליטיס (דלקת בעצם או במח העצם), או אוסטאורדיונקרוזיס (נמק בעצם על רקע הקרנות) של הלסת.

1.3 תיאור ההתקן

TheraBite® Jaw Motion Rehabilitation System (מערכת TheraBite לשיקום תנועת הלסתות) מורכבת מהחלקים הבאים:

Jaw Mobilizer (התקן להנעת לסתות) (איור 1)	יחידה אחת
Bite Pads (רפידות נשיכה) (איור 2)	4 יחידות
Hand-Aid (עזר ליד) (איור 3)	יחידה אחת
Range of Motion Scales (סרגלי טווח תנועה) (איור 4)	30 יחידות
Carrying Bag (תיק נשיאה) (איור 5)	יחידה אחת
הוראות שימוש	יחידה אחת
Exercise Log (יומן תרגול)	יחידה אחת

ה-Jaw Mobilizer (התקן להנעת לסתות) (איור 1) הוא התקן נייד עם טווח מתכוונן, שנועד לסייע למשתמשים לשפר או לשמר את טווח תנועת הלסת שלהם ואת חוזקה בצורה נכונה מבחינה אנטומית. לחץ שמפעיל המשתמש על הידית מספק כוח פתיחה לתנועה פסיבית או מתיחה או התנגדות לסגירה לצורך חיזוק.

3. معلومات حل المشكلات

ظهور تراكم على قطع الفم
السبب المحتمل: قد يكون التراكم نتيجة تجمع الأوساخ على قطع الفم بعد فترات طويلة من الاستخدام أو وسائل التنظيف غير الصحيحة.
ماذا ينبغي فعله: استخدم مبرد أظافر لبرد سطح قطع الفم بخفة واشطف الفضلات تمامًا. جفف قطع الفم وضع Bite Pads (بطانات عض) جديدة. اتبع تعليمات التنظيف.

Bite Pads (بطانات عض) لا تلتصق جيدًا على قطع الفم
السبب المحتمل: يمكن ألا تلتصق Bite Pads (بطانات عض) جيدًا إذا كانت قطع الفم تحتوي على الرطوبة أو إذا لم تكن Bite Pads (بطانات عض) موضوعة بشكل ملائم على قطع الفم.
ماذا ينبغي فعله: تأكد دومًا من أن قطع الفم جافة تمامًا وخالية من التراكمات قبل وضع Bite Pads (بطانات عض). اضغط بشكل ملائم للتأكد من الالتصاق الأولي الجيد على قطع الفم. اسمح للاصق بالارتباط طوال الليل إن أمكن قبل الاستخدام.

4. معلومات إضافية

4.1 معلومات مساعدة المستخدم

لمزيد من المساعدة أو المعلومات، انظر من فضلك الغطاء الخلفي لتعليمات الاستخدام لمعلومات الاتصال.

5. الإبلاغ

يُرجى ملاحظة أنه يجب إبلاغ الشركة المُصنِّعة والسلطة الوطنية بالبلد الذي يقيم فيه المستخدم و/أو المريض بأي حادث خطير يقع في ما يتعلق بالجهاز.

التقوية

- أدخل قطع الفم واضغط حتى تصل بالفتحة إلى القياس المحدد في التعليمات.
 - عض على قطع الفم دون إطلاق الذراع.
 - أطلق الذراع ببطء، سامحاً للفم بالانغلاق مقابل ضغط اليد. سينصحك طبيبك بشأن قوة الضغط أثناء الإغلاق.
 - ارتح لفترة قصيرة وكرر العملية.
- لتمارين التقوية باستخدام TheraBite ActiveBand، انظر تعليمات استخدام TheraBite ActiveBand.

2.4 استخدام Exercise Log (سجل التمرين)

استخدم Range of Motion Scale (مقياس نطاق الحركة) لقياس فتحة فمك قبل وبعد كل تمرين. يستخدم Exercise Log (سجل التمرين) لتوثيق ومتابعة تقدمك. الأعمدة في السجل مخصصة للبيانات التالية:

القسم 1: Daily Exercise Log (سجل التمرين اليومي)

A: التاريخ

B: الوقت

C: نوع برنامج التمرين/اليوم

D: حجم فتحة الفك

(1 قبل، 2) بعد برنامج التمرين.

القسم 2: Monthly Exercise Log (سجل التمرين الشهري)

يعرض المحور السيني اليوم في الشهر. استخدم آخر حجم في اليوم من Daily Exercise Log (سجل التمرين اليومي) وأدخله على المحور الصادي.

2.5 التنظيف

استخدم الماء وسائل غسل الصحون لتنظيف TheraBite Jaw Mobilizer (محرك الفك) وHand-Aid (مساعد اليد). اشطف جيداً، انفض الماء الزائد، واتركه ليجف. بعد التنظيف، افحص Bite Pads (بطانات العَض) واستبدلها إن لزم الأمر. **ملاحظة:** قطع الفم مصنوعة من مادة تميل إلى الاحتفاظ بالرطوبة. لذلك، تأكد من أن قطع الفم جافة بالكامل قبل استبدال Bite Pads (بطانات العَض) وقبل الاستخدام أيضاً.

لا تنتقع TheraBite Jaw Mobilizer (محرك الفك) في أي سائل أو تحاول غسله في غسالة الصحون. الفشل في اتباع التعليمات أعلاه قد يغير خصائص المنتج ويؤدي إلى عطله.

2.6 عمر الأداة

تبعاً للتعامل مع الأداة واستخدامها، يتغير عمر الأداة. يظهر الاختبار المعملّي للاستخدام اليومي المحاكّي لفترة اختبار تمتد 12 شهراً أن الأداة ستحافظ على سلامتها البنويّة لهذه الفترة الزمنية. الاستخدام لما بعد هذه الفترة يخضع لمسؤولية المستخدم وحده.

2.7 المعدات الإضافية

TheraBite ActiveBand: رباط مطاطي من السيليكون يستخدم مع TheraBite Jaw Mobilizer (محرك الفك) لزيادة و/أو الحفاظ على قوة وتحمل عضلات المضغ.

2.8 التخلص من المنتج

احرص دائماً على اتباع الممارسات الطبية والمتطلبات الوطنية المتعلقة بالمخاطر الحيوية عند التخلص من جهاز طبي مستعمل.

استخدم Hand-Aid (مساعد اليد) (الشكل 11)

- أمسك Jaw Mobilizer (محرك الفك) في يدك اليسرى، وأرخ Fine Adjustment Knob (مقبض التعديل الدقيق) حتى يمكن ضغط الذراع إلى أسفل حتى النهاية.
- أمسك Hand-Aid (مساعد اليد) في يدك اليمنى بالثلم الضيق في القمة.
- اضغط الذراع إلى أسفل، وضع الجزء المفتوح من Hand-Aid (مساعد اليد) على الجزء الأدنى من الذراع (الشكل 11A).
- أدر Hand-Aid (مساعد اليد) ربع دورة باتجاه عقارب الساعة، بحيث يصبح ثلم المسكة فوق المسكة، ثم أطلق الضغط.
- للاستخدام، أزلق Hand-Aid (مساعد اليد) نحو الفم (الشكل 11B).

لقياس فتحة الفم القصوى (فتحة المسافة القصوى بين القواطع العليا والسفلى) (الشكل 12)

- افتح فمك بأكبر درجة ممكنة دون انزعاج.
- ضع Range of Motion Scale (مقياس نطاق الحركة) بحيث يستقر السن على حافة سن أمامي سفلي.
- أدر Range of Motion Scale (مقياس نطاق الحركة) حتى يتلامس مع سن أمامي علوي.
- خذ القراءة عند نقطة التلامس.
- في المستخدمين عديمي الأسنان، يمكن قياس المسافة بين طقمي الأسنان العلوي والسفلي، أو بين المرتفعات السنخية (اللثتين) العليا والسفلى إن لم يكن المستخدم يرتدي طقم أسنان.

لقياس الحركة الجانبية (الشكل 13)

- ضع Range of Motion Scale (مقياس نطاق الحركة) مقابل الذقن مع إغلاق الأسنان العلوية والسفلية برفق على بعض.
- حاذ السهم بمسافة بين السنين العلويين (الشكل 13A).
- حرك الفك برفق من جانب إلى جانب واقرأ القياس على المقياس الجانبي مقابل الموضع الجديد للمسافة (الشكل 13B و 13C).

2.3 برامج التمرين

- يوصى بأن يختار طبيبك التمارين الملائمة لك ويجمع بينها، ويشمل ذلك المتابعة والمراجعة المنتظمين.
- برنامج التمرين شائع الاستخدام هو 5-5-30: خمس مرات في اليوم. خمس حركات شد كل مرة. استمرار كل حركة شد لمدة 30 ثانية. حين تعتبر حركات الشد القصيرة كافية، فإن برنامج التمرين الشائع المستخدم هو 7-7-7: سبع مرات في اليوم. سبع حركات شد كل مرة. استمرار كل حركة شد لمدة سبع ثوان.

الشد/الحركة السلبية

- عدّل Fine Adjustment Knob (مقبض التعديل الدقيق) بحيث يتحرك الذراع بحرية. اسمح للذراع بالصعود لأعلى حتى النهاية.
- أمسك Jaw Mobilizer (محرك الفك) باليد الأكثر راحة بالنسبة لك.
- استرخ وضع قطع الفم بين أسنانك. ينبغي أن يلامس فحسب سنك الأمامي الحافة الجانبية لقطعة الفم العلوية (الشكل 14A).
- اضغط الذراع ببطء لفتح قطع الفم. لا تعض على قطع الفم (الشكل 14B).
- اسمح لفكك بأن يتتبع على امتداد حركة قطع الفم. حاذر ألا تميل Jaw Mobilizer (محرك الفم) للأعلى أو للأسفل أثناء ضغط الذراع. قد يؤدي الميل إلى حركة فكك بشكل غير صحيح.
- أبقه مفتوحًا طوال المدة المحددة في التعليمات.
- أرخ الضغط، سامحًا للفم بالانغلاق ببطء (الشكل 14C).
- إذا وجدت أنه من الصعب إبقاء قطع الفم مفتوحة، فيمكنك استخدام Hand-Aid (مساعد اليد).

2. تعليمات الاستخدام

قبل الاستخدام الأول، ينبغي تحديد فتحة TheraBite القسوى الملائمة لكل مستخدم فردي من قبل الطبيب.

2.1 الإعداد

ضبط الفتحة القسوى في Jaw Mobilizer (محرك الفك)
يمكن ضبط فتحات قسوى بقياس 25 إلى 45 ملليمتر تقريباً إما حسب وضع Fine Adjustment Knob (ذراع ضبط النطاق) أو وضع TheraBite دون تعديل هذه الإعدادات، (مقبض التعديل الدقيق). يمكن استخدام TheraBite دون تعديل هذه الإعدادات، تبعاً لقدرة المستخدم على فهم وتطبيق تعليمات تطبيق الضغط الملائم.

عدّل Range Setting Arm (ذراع ضبط النطاق) (الشكل 6-7)

- أمسك الأداة من الجانب.
- استخدم شيئاً رقيقاً (مثل قلم حبر) لتحريك السن الذي يصل Range Setting Arm (ذراع ضبط النطاق) بالذراع (الشكل 7A و 7B).
- حاذ Range Setting Arm (ذراع ضبط النطاق) في الوضع المرغوب واستبدل السن. (تغير النطاق هو بمعدل 5 مم تقريباً لكل فاصل).
- المقياس على Jaw Mobilizer (محرك الفم) هو للمرجعية فقط. استخدم Range of Motion Scale (مقياس نطاق الحركة) للمرجعية أكثر دقة.

2.2 تعليمات التشغيل

قبل كل استخدام، تأكد من أن الأداة غير متضررة. لا تستخدم الأداة إن كانت متضررة.

ضع Bite Pads (بطانات العض) (الشكل 8-9)

- تأكد دائماً من أن قطع الفم جافة بالكامل قبل وصل Bite Pads (بطانات العض).
- انزع البطانة (الشكل 8).
- اربط Bite Pad (بطانة عض) واحدة بقطعة الفم العليا وواحدة بقطعة الفم الدنيا (الشكل 9).
- اضغط بأصابعك للتأكد من الالتصاق الملائم بقطع الفم. سيؤدي الضغط والدفء لفترة مطولة إلى التصاق Bite Pads (بطانات العض) بشكل أفضل.
- لتعزيز التصاق Bite Pads (بطانات العض)، اوصل Bite Pads (بطانات العض) بقطع الفم قبل التوجه إلى الفراش وتركها طوال الليل. تزيد شدة اللاصق على Bite Pads (بطانات العض) بمرور الوقت، وكلما كانت فترة وصلها أطول قبل الاستخدام، كلما مالت إلى الالتصاق بشكل أقوى.
- استبدل Bite Pads (بطانات العض) حين تصبح مهترئة. يمكن طلب Bite Pads (بطانات العض) إضافية بشكل منفصل.
- **تنبيه:** قد تعيق Bite Pads (بطانات العض) أو قطع من البطانات التي تصبح مرتخية أثناء الاستخدام عملية التنفس. تأكد دوماً من أن Bite Pads (بطانات العض) متصلة بإحكام بقطع الفم.

استخدم Fine Adjustment Knob (مقبض التعديل الدقيق) (الشكل 10)

- يمكن استخدام Fine Adjustment Knob (مقبض التعديل الدقيق) لإبطاء أو إيقاف الحركة الناشئة عن Jaw Mobilizer (محرك الفك). في حال انكسر المقبض لأي سبب من الأسباب، يمكن طلب مقبض جديد بشكل منفصل.
- أدر المقبض عكس اتجاه عقارب الساعة حتى النهاية لإيقاف الذراع في أعلى وضع (الشكل 10A).
- مع الضغط بخفة على الذراع، أدر المقبض باتجاه عقارب الساعة للسماح لقطعة الفم الدنيا بالحركة لأسفل ببطء (الشكل 10B).
- يمكن أن يتم إطلاق الذراع في أي وقت دون إدارة Fine Adjustment Knob (مقبض التعديل الدقيق).

Bite Pads (بطانات العَض) (الشكل 2) عبارة عن بطانات ذاتية اللصق مخصصة لحماية أسنان المستخدم. وهي متاحة في ثلاثة نسخ: Regular (عادية)، Edentulous (أردية) (عديمة الأسنان، وسادة أكثر سمكًا للتقليم المخصص)، و Pediatric (للأطفال). يمكن للأطباء أن يكسوا أو يقلموا Bite Pads (بطانات العَض) لحماية إضافية طبقًا لحكمهم الطبي المستقل.

Hand-Aid (مساعد اليد) (الشكل 3) عبارة عن أداة مصممة لتثبيت الذراع لأسفل والحفاظ على الفتحة أثناء تمارين الشد.

Range of Motion Scale (مقياس نطاق الحركة) (الشكل 4) يستخدم لمراقبة تطور برنامج إعادة التأهيل. هناك مساحة لتدوين تقدمك مطبوعة على الجانب الخلفي للمقياس وهناك Exercise Log (سجل التمرين) يأتي مع أداتك لتعقب تقدمك. Range of Motion Scale (مقياس نطاق الحركة) منتج يمكن التخلص منه ولا ينبغي تنظيفه.

1.4 توقعات الأداة

الحركة والشد السلبيين مع TheraBite

- فعال في التقليل من الضرر الناتجة عن الإشعاع و/أو الندوب في مرضى سرطان الرأس والرقبة.
 - فعال في الوقاية من الضرر في المرضى ممن يخضعون للإشعاع (الكيمائي).
 - يمكنه المساعدة في تحسين عمل المفصل والفك، وتحسين نطاق الحركة، وتقليل الألم في المرضى ممن يعانون من اضطرابات صدغية فكية.
 - له أثر إيجابي على نتائج الجراحة عند استخدامه للحركة المبكرة في المرضى ممن خضعوا لجراحة المفصل الصدغي الفكي.
- يمكن أن يقوي TheraBite أيضًا عضلات الفك عند توفير مقاومة للغلق باليد أو باستخدام ActiveBand.
- أثناء "تمرين البلع المفتوح"، يمكن استخدام TheraBite لتثبيت الفم مفتوحًا في وضع ثابت.
- ملاحظة:** ينبغي على المستخدمين المحتملين التشاور مع أطباءهم قبل الاستخدام لتحديد ما إذا كان TheraBite ملائمًا لوضعهم الفردي.

1.5 التحذيرات

- لا تواصل التدريب إذا شعرت بألم مفاجئ في أي وقت أثناء التمرين باستخدام TheraBite. ينبغي عليك التوقف عن استخدام الأداة فورًا والاتصال بطبيبك.
- قم بالتمرين بانتباه شديد إن كانت لديك أسنان ضعيفة، مرض في اللثة، ضعف في العظام أو المفاصل في الفك، أو صفائح أو تيجان أو جسور أسنان. قد تحدث إصابة في حال فرض قوة زائدة أثناء استخدام TheraBite.

1.6 التدابير الوقائية

- لا تعقم TheraBite. قد تضعف عمليات التعقيم TheraBite وقد ينكسر أثناء الاستخدام.
- تعامل مع TheraBite بحذر دائمًا، فقد ينكسر أثناء الاستخدام إذا تضرر نتيجة التعامل العنيف.
- لا تفرض قوة عالية جدًا على قطع الفم. فهي مصممة لتتكسر في حال فرض قوة كبيرة جدًا عليها أثناء الاستخدام لتفادي إصابة الفك.

قبل البدء بأي نشاط إعادة تأهيل يشمل نظام TheraBite، ينبغي على كل مستخدم التفكير في فوائد البرامج المشرف عليها طبياً. قد يختار الأطباء ويجمعون بين التمارين لتشكيل برامج ملائمة لقدرات وأهداف كل مستخدم، ويشمل ذلك المتابعة والمراجعة المنتظمتين.

1. معلومات وصفية

1.1 الاستخدام المخصص

يوصف TheraBite® Jaw Motion Rehabilitation System (نظام إعادة تأهيل حركة الفك) للأفراد الذين يعانون من الضرسية (قيود على قدرتهم على فتح فكوكهم) أو المعرضين لخطر الإصابة بها، و/أو من يختبرون ألمًا في مفاصل و/أو عضلات الفك. يمكن أيضًا استخدام الأداة كأداة إعادة تأهيل للعلاج البدني التالي لعملية جراحية للفك، أو للحفاظ على الفم مفتوحًا في وضع ثابت، أثناء أداء تمارين عسر البلع مثلًا.

نظام TheraBite مخصص لاستخدام مريض واحد فقط.

1.2 موانع الاستخدام

TheraBite غير مخصص لاستخدامه من قبل:

- أفراد عانوا أو يعانون من كسر في عظم الفك الأعلى أو الأسفل أو من نقاط ضعف أخرى في عظام الفك.
- أفراد مصابون بالتهابات في الفك، التهاب العظم والنقي (التهاب العظم ونخاع العظم)، أو النخر العظمي إشعاعي المنشأ (نخر في العظم نتيجة الإشعاع) في الفك.

1.3 وصف الأداة

يتكون TheraBite Jaw Motion Rehabilitation System (نظام إعادة تأهيل حركة الفك) من القطع التالية:

- 1 قطعة Jaw Mobilizer (محرك الفك) (الشكل 1)
- 4 قطع Bite Pads (بطانات عض) (الشكل 2)
- 1 قطعة Hand-Aid (مساعد اليد) (الشكل 3)
- 30 قطعة Range of Motion Scale (مقاييس نطاق الحركة) (الشكل 4)
- 1 قطعة Carrying Bag (حقيبة حمل) (الشكل 5)
- 1 قطعة تعليمات الاستخدام
- 1 قطعة Exercise Log (سجل التمرين)

Jaw Mobilizer (محرك الفك) (الشكل 1) عبارة عن أداة محمولة باليد ذات نطاق قابل للتعديل مصممة لمساعدة المستخدمين على تحسين نطاق حركة وقوة الفك أو الحفاظ عليه بشكل صحيح تشريحياً. يوفر الضغط الذي يفرضه المستخدم على الذراع إما قوة فتح لحركة سلبية أو شد أو مقاومة للغلق للتقوية.

تتكون الأداة من القطع التالية:

- (A) Fine Adjustment Knob (مقبض التعديل الدقيق)
- (B) ذراع
- (C) Range Setting Arm (ذراع ضبط النطاق)
- (D) قطعة فم عليا
- (E) قطعة فم دنيا

تنبيه: لا تحاول فصل قطع الفم عن الأداة، حيث يمكن لهذا أن يؤدي إلى العطل أثناء الاستخدام.



No. 90760-1, 2020-01-27

Atos
atosmedical.com



Atos Medical AB
Kraftgatan 8, P.O. Box 183, SE-242 22 Hörby, Sweden
Tel: +46 (0)415 198 00 • info@atosmedical.com